



CAT: 101217AU
December 2017

Overrunning Alternator Pulley Application Guide



Introduction..... 1

Application Guide..... 7

OAP Specifications 51



Introduction

Since commencing operations in Australia and New Zealand in 1979, Dayco is a global leader in the research, design, manufacturing and distribution of essential engine products, drive systems and services for automobiles, trucks, construction, agriculture and industry.

Dayco's contributions are integral to how people get from place to place, goods are transported, food is harvested, and infrastructure is built. The company operates according to long-held values — keeping promises, delivering on time all the time, and an intense commitment to service no matter what the obstacles. For more than a century, Dayco has overcome challenges, emerging stronger and smarter at every turn.

Dayco improves how the world moves by creating products, systems and relationships that endure.

Move Forward. Always.™

Markets

Dayco Aftermarket – manufactures and distributes belts, hoses and related cooling system components for virtually every automotive, light commercial, ATV, Scooter and heavy duty application.

Research and development

Dayco's involvement in both the original equipment and Aftermarket segments of the business give the company a distinct competitive advantage. As a major supplier to automobile manufacturers, Dayco OEM engineers are developing future automotive technologies that are quickly incorporated into our aftermarket products. This connection enables us to bring quality replacement products to today's Aftermarket that meet or exceed OEM standards.

Manufacturing

At the Dayco manufacturing facilities, quality is built into every product because of our quality-in-process systems. These systems employ closed-loop, computer

monitored and controlled quality checks at critical points throughout the manufacturing process. All manufacturing plants are certified to quality standard TS16949 and environmental standards ISO 14001.

Most importantly

As a customer responsive company, Dayco Aftermarket sees each of our individual customers as the judge of our quality both in products and service. By meeting and whenever possible, exceeding customer needs, Dayco Australia Aftermarket constantly renews our commitment to every customer's ultimate business success.

Management system policy statement

Dayco Australia Pty. Ltd is a supplier of world-class automotive products, primarily under the Dayco brand name. Dayco product line-up includes OE systems, sub-systems and components in the areas of power transmission and fluid transfer, drive belts, timing belts, tensioners, pulleys, harmonic balancers, all types of automotive hose and other cooling system components. The Dayco team is dedicated to the ongoing maintenance of our management systems throughout the company and in concert with our suppliers, customers and appointed distributors. The management systems require commitment to providing products and services that consistently meet our customers' quality and environmental needs and expectations and to continuously improve in all that we do.

At Dayco Australia, we are committed to achieving the following organisational objectives:

- Implementation of continuous quality and environmental ethics and standards that are appropriately communicated and clearly understood by all employees.
- Setting objectives and targets that demonstrate a commitment to the continual improvement of our quality and environmental performance.

- Maintaining management's commitment to the prevention of pollution and compliance with legal and regulatory requirements, and other requirements relevant to our industry, conventions and local community.

- Providing a work environment conducive to employee involvement and empowerment through teamwork.

- Providing training necessary to support and enhance the continuous improvement process.

- Establishing a work environment that stimulates and promotes open two-way communications with our customers, employees and suppliers.

- Ensuring the ongoing effectiveness and suitability of our management systems through planned internal and external audits and management reviews.

- To make this Policy Statement freely available to all interested parties.

Dayco Management Systems have been audited and certified by an independent authority to comply with current automotive and environmental international standards.

All employees will be encouraged to contribute to the development and improvement of the management systems through their work teams. Once authorized, management systems requirements must be consistently observed and adhered to by all employees.

Warranty

Contact Dayco or refer to www.dayco.com.au

About this guide

This GUIDE has been produced to assist purchasers of DAYCO automotive products. Whilst this guide is intended to be accurate, persons using this guide do so using their own expertise and judgement (including as to the fitness of the products for the particular intended use) and at their own risk. If in doubt about your ability to follow this Guide or to safely install the products in your particular application, arrange for the work to be undertaken by a trained mechanic. Dayco Australia Pty Ltd is not responsible for any death, injury, loss or damage suffered as a result of, or in relation to, this Guide (whether by negligence or otherwise) unless liability cannot be excluded by law. Where liability cannot be excluded, liability is limited, to the extent allowed by law, to the replacement of the DAYCO product.

The trademarks, logos, characters and service marks (collectively "Trademarks") displayed on this catalogue belong to Dayco IP Holdings, LLC.

© Dayco Australia Pty Ltd. December 2017

All rights reserved.

Complete Dayco Product Range

Drive Belts & Kits

Drive Belt Automatic Tensioners

Drive Belt Idler & Tensioner Pulleys

Overrunning Alternator Pulleys

Harmonic Balancers & Kits

CVT Scooter Belts

ATV Outdoor Activity Belts

Timing Belt & Kits

Timing - Hydraulic Automatic Tensioners (HAT)

Shaft Repair Kits

Heater Tap Control Valves

Thermostats & Thermostat Gaskets

Radiator Coolant Tanks

Fan Clutches

Hose Connector Kits

Hose Air

Hose Fuel

Hose Heater

Hose Service

Hose Radiator

Hose Clamps

Service Tools

NULINE OVERRUNNING ALTERNATOR PULLEYS

Overrunning alternator pulleys are becoming increasingly popular on late model petrol and diesel engines, due to the increasing drive belt speed and engine vibration fluctuations. An overrunning alternator pulley is used to smooth out rotational irregularities on the alternator, which is caused from rapid acceleration, deceleration and even shut off.

During normal operating conditions these alternator pulleys can be rotating up to 18,000rpm and with major RPM fluctuations unit failure can lead to belt noise, vehicle vibrations and also alternator or drive belt failure.

Nuline have developed a heavy duty replacement clutch pulley to disengage the alternator so it free spins during rotational irregularities.

How does the Nuline overrunning alternator pulley work?

When the Nuline overrunning alternator pulley is rotated in the normal operating direction it connects to the alternator working as a normal pulley. But during deceleration the pulley disconnects from the alternator shaft, allowing the alternator to free spin. This is done by a special one way bearing that is mounted inside the Nuline overrunning alternator pulley.

Advantages of using a Nuline overrunning alternator pulley

- Heavy duty designed for long service life
- Dampens drive belt vibration
- Reduced belt slippage during rapid acceleration or deceleration
- Reduced stress on drive belt and other accessory drives
- Increased alternator and drive belt life
- Reduction of drive belt noise
- Improvement in variation of drive belt tension

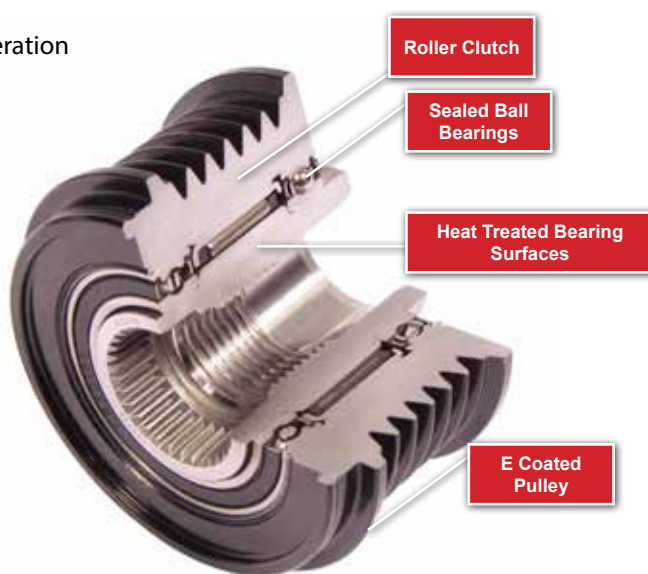
Signs of an overrunning alternator pulley failing

- Unusual drive belt noises
- Unusual vehicle vibrations
- Steering shudder
- Alternator not charging battery
- Pulley free spins in both directions

Checking the overrunning alternator pulley

- Remove drive belt
- Check pulley for chips, dents or damage to belt grooves
- Check for excessive bearing movement
- Rotate Alternator pulley in normal operation direction, pulley should lock up and turn alternator shaft
- Rotate alternator pulley in opposite direction, it should spin freely without the alternator shaft moving
- Rotate the pulley in the free spin direction, it should feel smooth not rough

If any of the above failure signs appear replace with a heavy duty Nuline overrunning alternator pulley.



OVERRUNNING ALTERNATOR PULLEY REMOVAL/INSTALLATION TOOL KITS

Overrunning alternator pulleys are impossible to remove from the alternator without specific tools to do the job.

Nuline have the answer with each kit containing all the necessary tools needed to remove and fit a new pulley. Made from the highest quality materials our Alternator tools can be used with hand ratchets or impact rattle guns. These kits feature interchangeable components to work on almost all vehicles and come in a very handy moulded carry case.

Nuline Overrunning alternator installation tools are a must have for any mechanic or DIY professional.



OAPTK001
13 PIECE TOOL KIT

T50 x 113mm Combination Socket
M10 x 113mm Combination Socket
15mm Hex 33 Teeth Spline
22mm Hex 33 Teeth Spline
21mm x 17mm Hex
15mm Hex 4 Pin
1/2" Drive Socket
10mm X 75mm
T40, T50, M8, M10, H8, H10



OAPTK002
22 PIECE TOOL KIT

T50 x 113mm Combination Socket
M10 x 113mm Combination Socket
15mm Hex 33 Teeth Spline
15MM Hex 33 Teeth Fine Spline
22mm Hex 33 Teeth Spline
22mm Hex
17mm Hex
28mm X 22mm Hex
38mm Hex 3 Pin

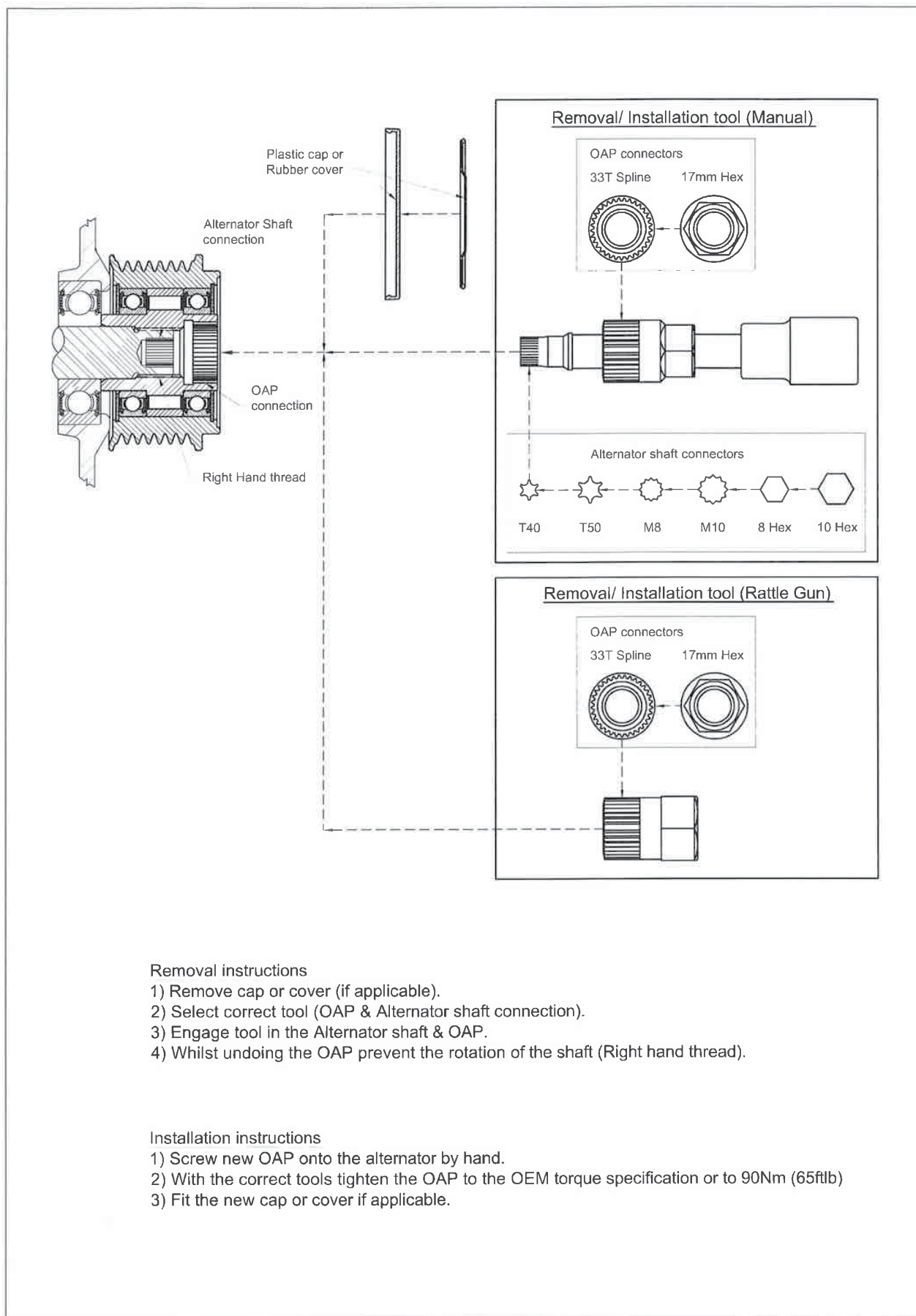
17mm Hex 4 Pin
1/2" Drive Socket
10mm X 75mm T40, T50, M8, M10, H8, H10
110mm X M10 1/2" Drive Socket
28mm X 21mm Hex
64mm X M10 X 12mm Hex
Hexagonal Nut 28mm X 19mm
3/8" Drive X 90mm X M10 Socket



OAPT003
33 TOOTH SPLINE/17MM HEX

RATTLE GUN REMOVAL TOOLS

OAP INSTALLATION INSTRUCTIONS



Removal instructions

- 1) Remove cap or cover (if applicable).
- 2) Select correct tool (OAP & Alternator shaft connection).
- 3) Engage tool in the Alternator shaft & OAP.
- 4) Whilst undoing the OAP prevent the rotation of the shaft (Right hand thread).

Installation instructions

- 1) Screw new OAP onto the alternator by hand.
- 2) With the correct tools tighten the OAP to the OEM torque specification or to 90Nm (65ftlb)
- 3) Fit the new cap or cover if applicable.

Contents	
Alfa Romeo	8
Audi	8
BMW.....	11
Chevrolet.....	14
Chrysler	14
Citroen.....	14
Dodge	15
Fiat	16
Ford.....	16
FPV.....	17
Holden	18
HSV	20
Honda	22
Hyundai.....	22
Jaguar	23
Jeep.....	23
John Deere	24
Kia	26
Land Rover	26
Lexus.....	26
Mazda	27
Mercedes Benz.....	27
Mini.....	34
Mitsubishi.....	34
Nissan	34
Peugeot	35
Porsche	37
Range Rover	38
Renault	38
Saab	39
Skoda.....	39
Ssangyong.....	40
Subaru	40
Suzuki	40
Toyota	40
Volkswagen.....	43
Volvo.....	48

Alfa Romeo

147

Jan 2006 - Jan 2011

1.9L 4 cyl DOHC 16V DTFI Turbo Diesel
Eng code: 937A5
OAP (Alt Denso) OAP075

159

Mar 2007 - Jun 2012

1.9L 4 cyl DOHC 16V DTFI Diesel JTD
Eng code: 939A2
OAP (Alt Denso 100A, 120A, 51764265, 51793678)..... OAP057
OAP (Alt Denso 120A, 140A) OAP075

Jan 2009 - Jun 2012

2.4L 5 cyl DOHC 20V DTFI Diesel JTD
Eng code: 939A3
OAP (Alt Denso) OAP064

Brera

Jun 2006 - Feb 2012

3.2L V6 DOHC 24V MPFI
Eng code: 939A0000
OAP OAP064

Audi

A1

Dec 2010 - May 2015

1.4L 4 cyl DOHC 16V TFSI Turbo 8X
Eng code: CAXA
OAP OAP028

Nov 2011 - May 2015

1.6L 4 cyl DOHC 16V DTFI Turbo Diesel 8X
Eng code: CAYB
OAP OAP023

Jun 2012 - May 2015

1.2L 4 cyl SOHC 16V TFSI Turbo 8X
Eng code: CBZA
OAP OAP028

A3

May 1997 - Oct 1999

1.6L 4 cyl SOHC 8V MPFI 8L
Eng code: AEH
OAP (Alt Bosch 120A) OAP022

May 1997 - Dec 2001

1.8L 4 cyl DOHC 20V MPFI 8L
Eng code: AGN
OAP (Alt Bosch, Hitachi, Valeo, 120A) OAP022

Feb 1998 - Nov 2000

1.8L 4 cyl DOHC 20V TMPFI Turbo 8L
Eng code: AGU
OAP (Alt Bosch 120A) OAP022

Oct 1999 - Nov 2000

1.6L 4 cyl SOHC 8V MPFI 8L
Eng code: AKL
OAP (Alt Hitachi/Valeo 120A)..... OAP022

Oct 1999 - Jul 2004

1.8L 4 cyl DOHC 20V MPFI 8L
Eng code: APG
OAP (Alt Bosch 120A) OAP022

Oct 2000 - Apr 2003

1.6L 4 cyl SOHC 8V MPFI 8L
Eng code: AVU
OAP (Alt Bosch/Hitachi/Valeo 120A) OAP022

Oct 2000 - Jul 2004

1.6L 4 cyl SOHC 8V MPFI 8L
Eng code: BFQ
OAP (Alt Bosch/Hitachi/Valeo 120A) OAP022

Nov 2000 - Jul 2004

1.8L 4 cyl DOHC 20V TMPFI Turbo 8L
Eng code: AUM
OAP (Alt Bosch 70A, 90A, 120A, Hitachi 120A, Valeo 70A, 90A, 120A)
OAP022

Jan 2004 - Dec 2007

2.0L 4 cyl DOHC 16V EFI 8P
Eng code: AXW
OAP (Alt Bosch/Valeo 140A) OAP023

Jul 2004 - Sep 2005

1.6L 4 cyl SOHC 8V MPFI 8P
Eng code: BGU
OAP (Alt Bosch/Valeo 110A, 140A) OAP022

Jul 2004 - Sep 2005

2.0L 4 cyl DOHC 16V MPFI 8P
Eng code: BMB
OAP (Alt Bosch/Valeo 140A) OAP023

Jul 2004 - Sep 2005

2.0L 4 cyl DOHC 16V MPFI 8P
Eng code: BLY
OAP (Alt Bosch/Valeo 140A) OAP022

Jul 2004 - Jan 2009

2.0L 4 cyl DOHC 16V DTFI Turbo Diesel 8P
Eng code: BKD
OAP (Alt Bosch 110A, 140A, Valeo 110A, 140A) OAP022

Aug 2004 - Sep 2005

3.2L V6 DOHC 24V MPFI 8P
Eng code: BDB
OAP (Alt Bosch) OAP022

2004 - 2005

2.0L 4 cyl DOHC 16V EFI 8P
Eng code: BLX
OAP (Alt Bosch 140A) OAP022

Aug 2004 - Sep 2005

3.2L V6 DOHC 24V MPFI 8P
Eng code: BMJ
OAP (Alt Bosch/Valeo 140A) OAP022

Jan 2005 - Dec 2006

2.0L 4 cyl DOHC 16V MPFI 8P
Eng code: BLR
OAP (Alt Bosch/Valeo 140A) OAP023

Feb 2005 - Dec 2006

2.0L 4 cyl DOHC 16V TMPFI Turbo 8P
Eng code: AXX
OAP (Alt Bosch/Valeo 140A) OAP023

Feb 2005 - Jan 2009

3.2L V6 DOHC 24V MPFI 8P
Eng code: BUB
OAP (Alt Bosch 140A, Valeo 140A) OAP022

Feb 2005 - Mar 2011

1.6L 4 cyl SOHC 8V MPFI 8P
Eng code: BSE
OAP (Alt Bosch 110A, 140A, Valeo 90A, 110A, 140A) OAP022

Sep 2005 - May 2007

2.0L 4 cyl DOHC 16V MPFI 8P
Eng code: BVY
OAP (Alt Bosch 140A, Valeo 140A) OAP023

Sep 2005 - Jan 2009

2.0L 4 cyl DOHC 16V TMPFI Turbo 8P
Eng code: BWA
OAP (Alt Bosch 140A, Valeo 140A) OAP022

Jan 2006 - Dec 2007

2.0L 4 cyl DOHC 16V DTFI Turbo Diesel 8P
Eng code: BMN
OAP (Alt Bosch 110A, 140A, Valeo 110A, 140A) OAP022

Jun 2007 - Oct 2008

1.8L 4 cyl DOHC 16V TMPFI Turbo 8P
Eng code: BZB
OAP (Alt Bosch 140A, Valeo 140A) OAP076

Jan 2007 - Dec 2008

1.8L 4 cyl DOHC 16V TMPFI Turbo 8P
Eng code: BYT
OAP (Alt Bosch 140A, Valeo 140A) OAP023

Mar 2008 - Jan 2010

1.9L 4 cyl SOHC 8V DTFI Turbo Diesel 8P
Eng code: BLS
OAP (Alt Bosch 110A, 140A, Valeo 110A, 140A) OAP022

Jul 2008 - Jan 2009

2.0L 4 cyl DOHC 16V TMPFI Turbo 8P
Eng code: CAWB
OAP (Alt Valeo 110A) OAP022
OAP (Alt Bosch 140A) OAP076
OAP (Alt Valeo 140A) OAP122

Oct 2008 - Mar 2013

1.8L 4 cyl DOHC 16V TMPFI Turbo 8P
Eng code: CDAA
OAP OAP076

Dec 2008 - May 2013

1.4L 4 cyl SOHC 8V TMPFI Turbo 8P
Eng code: CAXC
OAP OAP028

Jan 2009 - Sep 2011

2.0L 4 cyl DOHC 16V DTFI Turbo Diesel 8P
Eng code: CBBB
OAP (Alt Bosch 110A, 140A, Valeo 110A, 140A) OAP076

Jan 2009 - May 2013

2.0L 4 cyl DOHC 16V TMPFI Turbo 8P
Eng code: CCZA
OAP (Alt Valeo 140A) OAP122

Mar 2011 - May 2013

1.6L 4 cyl DOHC 16V DTFI Turbo Diesel 8P
Eng code: CAYC
OAP (Alt Bosch, Valeo 140A) OAP023

Oct 2011 -

2.0L 4 cyl DOHC 16V DTFI Turbo Diesel 8P
Eng code: CLJA
OAP (Alt Bosch, Valeo 140A) OAP023

May 2013 -

2.0L 4 cyl DOHC 16V DTFI Turbo Diesel 8V
Eng code: CRBC
OAP OAP023

May 2013 -

2.0L 4 cyl DOHC 16V DTFI Turbo Diesel 8V
Eng code: CRLB
OAP OAP023

A 4**Aug 1995 - Jun 2001**

1.8L 4 cyl DOHC 20V MPFI B5
Eng code: ADR
OAP (Alt Valeo 120A) OAP142

Feb 1996 - Mar 1998

2.6L V6 SOHC 12V MPFI B5
Eng code: ABC
OAP OAP076

Feb 1998 - Jul 2001

2.4L V6 DOHC 30V MPFI B5
Eng code: APS
OAP (Alt Valeo, 90A, 120A) OAP065
OAP (Alt Bosch 90A, 120A) OAP082

Feb 1998 - Jul 2003

2.4L V6 DOHC 30V MPFI
Eng code: AGA
OAP OAP076

May 1999 - Jun 2001

1.8L 4 cyl DOHC 20V MPFI B5
Eng code: APT
OAP (Alt Valeo, 120A) OAP142

Jul 2001 - Mar 2005

1.8L 4 cyl DOHC 20V TMPFI Turbo B6
Eng code: AVJ
OAP (Up To Chassis 8E3029803 140A Valeo, 8E3024775 Valeo 120A) OAP122
OAP (From Chassis 8E3024776, Valeo 120A, 140A, 150A, Bosch 120A, 140A) OAP076

Jul 2001 - Mar 2005

2.0L 4 cyl DOHC 20V MPFI B6
Eng code: ALT
OAP (Alt Bosch 120A, 140A, 150A, Valeo 120A, 140A, 150A, From Chassis 8E3024776) OAP076
OAP (Up To Chassis 8E3029803, 8E3024775, Valeo 120A, 140A) OAP122

2001 - 2005

1.8L 4 cyl DOHC 20V TMPFI Turbo B6
Eng code: AMB
OAP (Alt Bosch 120A, 140A, 150A, From Chassis 8E3024776 Valeo 120A, 140A, 150A) OAP076
OAP (Up To Chassis 8E3029803 Valeo 140A, 8E3024775 Valeo 120A) OAP122

Dec 2002 - Dec 2006

3.0L V6 DOHC 30V MPFI B6
Eng code: BBJ
OAP OAP122

Mar 2003 - Nov 2005

1.8L 4 cyl DOHC 20V TMPFI Turbo B6
Eng code: BEX
OAP (Alt Bosch 120A, 140A, 150A, From Chassis 8E3024776 Valeo 120A, 140A, 150A) OAP076

Apr 2002 - Mar 2005

1.8L 4 cyl DOHC 20V TMPFI Turbo B6
Eng code: BFB
OAP (Alt Bosch 120A, 140A, Valeo 120A, 140A, 150A) OAP076

Mar 2005 - Aug 2009

1.8L 4 cyl DOHC 20V TMPFI Turbo B7
Eng code: BFB
OAP (Up To Chassis 8E6240000 Valeo 140A, From Chassis 8E6240001 Valeo 120A, 140A, Bosch 120A, 140A) OAP076
OAP (Alt Valeo 120A, 140A, Up To Chassis 8H-3007000) OAP122

Aug 2005 - Mar 2009

2.0L 4 cyl DOHC 16V MPFI B7
Eng code: BWE
OAP (Alt Bosch 120A, 140A, 150A, From Chassis 8E3007001 Valeo 120A, 140A, 150A Alt No. 06B903016AF) OAP076

Mar 2005 - Aug 2008

2.0L 4 cyl DOHC 20V MPFI B7
Eng code: ALT
OAP (Up To Chassis 8E6240000 Valeo 140A, From Chassis 8E6240001 Valeo 120A, 140A, 150A, Bosch 120A, 140A) OAP076
OAP (Up To Chassis 8E3029803 Valeo 140A, 8E3024775 Valeo 120A) OAP122

Mar 2005 - Aug 2009

2.0L 4 cyl DOHC 16V TMPFI Turbo B7
Eng code: BGB
OAP (Alt Bosch 140A, Valeo 150A, Up to Chassis 8E6240000 Valeo 140A,
From Chassis 8E6240001 Valeo 140A)..... OAP076

Oct 2005 - Mar 2008

2.0L 4 cyl DOHC 16V DTFI Turbo Diesel B7
Eng code: BLB
OAP (Alt Bosch 140A, Valeo 140A) OAP023

Oct 2005 - Mar 2008

2.0L 4 cyl DOHC 16V DTFI Turbo Diesel B7
Eng code: BRE
OAP (Alt Bosch 140A, Valeo 140A) OAP023

Jan 2006 - Dec 2007

2.0L 4 cyl DOHC 16V TFI Turbo B7
Eng code: BUL
OAP (Alt Valeo 150A, Up To Chassis 8E6240000 Valeo 140A, Bosch 140A,
From Chassis 8E6240001 Valeo 140A)..... OAP076

Apr 2008 - Jun 2012

1.8L 4 cyl DOHC 16V TMPFI Turbo B8
Eng code: CABB
OAP OAP234

Apr 2008 - Jun 2012

1.8L 4 cyl DOHC 16V TMPFI Turbo B8
Eng code: CDHB
OAP OAP234

Apr 2008 - Jun 2012

2.0L 4 cyl DOHC 16V DTFI Turbo Diesel B8
Eng code: CAGA
OAP OAP023

Apr 2008 - Jun 2012

2.7L V6 DOHC 24V DTFI Turbo Diesel B8
Eng code: CAMA
OAP OAP234

Apr 2008 - Jun 2012

3.2L V6 DOHC 24V MPFI B8
Eng code: CALA
OAP OAP234

Jul 2008 - Jun 2012

2.7L V6 DOHC 24V DTFI Turbo Diesel
Eng code: CGKA
OAP OAP234

Oct 2008 - Jun 2012

3.0L V6 DOHC VVT 24V Di Turbo
Eng code: CCWA
OAP OAP234

Oct 2008 - Jun 2012

2.0L 4 cyl DOHC VVT 16V MPFI Turbo B8
Eng code: CDNB
OAP OAP234

Oct 2008 - Aug 2013

2.0L 4 cyl DOHC VVT 16V MPFI Turbo B8
Eng code: CDNC
OAP OAP234

Jul 2012 -

1.8L 4 cyl DOHC 16V TMPFI Turbo B8
Eng code: CJEB
OAP (MY 2013 On) OAP076
OAP OAP234

Sep 2013 -

2.0L 4 cyl DOHC 16V TMPFI B8 QUATTRO
Eng code: CNCD
OAP OAP076
OAP OAP234

A 5

Oct 2007 - Feb 2012

3.2L V6 DOHC 24V MPFI 8T
Eng code: CALA
OAP OAP234

Oct 2008 - Feb 2012

3.0L V6 DOHC 24V DTFI Turbo Diesel 8T
Eng code: CCWA
OAP OAP234

May 2009 - Aug 2013

2.0L 4 cyl DOHC 16V TMPFI Turbo 8T
Eng code: CDNC
OAP OAP076
OAP OAP234

Aug 2009 - Feb 2012

2.0L 4 cyl DOHC 16V TMPFI Turbo 8T
Eng code: CDNB
OAP OAP234

Mar 2012 -

1.8L 4 cyl DOHC 16V TFSI Turbo 8T
Eng code: CJEB
OAP OAP076
OAP OAP234

Mar 2012 -

2.0L 4 cyl DOHC 16V DTFI Turbo Diesel 8T
Eng code: CGLC
OAP OAP023

Sep 2013 -

2.0L 4 cyl DOHC 16V TMPFI 8T QUATTRO
Eng code: CNCD
OAP OAP076
OAP OAP234

A 6

Nov 1997 - Jan 2002

2.4L V6 DOHC 30V MPFI C5
Eng code: AGA
OAP (Alt Bosch 150A, Valeo 150A) OAP076

Feb 2002 - Feb 2004

2.4L V6 DOHC 30V MPFI C5
Eng code: AGA
OAP (Alt Bosch 150A, Valeo 150A) OAP076

Sep 2006 - Feb 2011

2.0L 4 cyl DOHC 16V TMPFI Turbo C6
Eng code: BPJ
OAP (Alt Valeo, 150A) OAP076

Oct 2011 -

2.0L 4 cyl DOHC 16V TMPFI Turbo C7
Eng code: CDNB
OAP OAP076
OAP OAP234

Allroad Quattro

Feb 2000 - Dec 2005

2.7L V6 DOHC 30V MPFI C5
Eng code: BES
OAP OAP142

Q 3

Apr 2012 - May 2015

2.0L 4 cyl DOHC 16V DTFI Turbo Diesel 8U
Eng code: CFFB
OAP OAP022

Apr 2012 - May 2015

2.0L 4 cyl DOHC 16V CRD Turbo Diesel 8U
Eng code: CFGC
OAP OAP022

Q5

Mar 2009 - Sep 2010

2.0L 4 cyl DOHC 16V TDCi Turbo Diesel 8R
Eng code: CAHA
OAP (Alt Bosch 140A) OAP023

Mar 2009 - Sep 2012

2.0L 4 cyl DOHC 16V TFSI Turbo 8R
Eng code: CDNC
OAP OAP076
OAP OAP234

Mar 2009 -

3.2L V6 DOHC 24V FSI Turbo 8R
Eng code: CALB
OAP OAP234

Oct 2010 -

2.0L 4 cyl DOHC 16V TDCi Turbo Diesel 8R
Eng code: CGLB
OAP OAP023

Oct 2012 -

2.0L 4 cyl DOHC 16V MPFI Turbo 8R
Eng code: CNCD
OAP OAP076

Q7

Sep 2006 - Sep 2010

3.6L V6 DOHC 24V MPFI 4L
Eng code: BHK
OAP (Alt Hitachi 190A, Valeo 180A) OAP056

S4

May 2009 - Jun 2012

3.0L V6 DOHC 24V SCMPFI B8
Eng code: CAKA
OAP OAP234

TTS

Jul 2008 - Jan 2015

2.0L 4 cyl DOHC 16V TMPFI Turbo 8J
Eng code: CDLB
OAP OAP023
OAP OAP122

TT

May 1999 - Jul 2000

1.8L 4 cyl DOHC 20V TMPFI Turbo 8N
Eng code: AJQ
OAP (Alt Bosch 120A, Hitachi 120A, Valeo 120A) OAP022

Oct 1999 - Dec 2002

1.8L 4 cyl DOHC 20V TMPFI Turbo 8N
Eng code: APX
OAP (Alt Bosch 120A, Hitachi 120A, Valeo 120A) OAP022

Oct 1999 - Dec 2006

1.8L 4 cyl DOHC 20V TMPFI Turbo 8N
Eng code: BAM
OAP (Alt Bosch 120A, Hitachi 120A, Valeo 120A) OAP022

2000 - 2001

1.8L 4 cyl DOHC 20V TMPFI Turbo 8N
Eng code: APP
OAP OAP022

2001 - 2004

1.8L 4 cyl DOHC 20V TMPFI Turbo 8N
Eng code: ARY
OAP (Alt Bosch 120A, Hitachi 120A, Valeo 120A) OAP022

Jan 2001 - Jan 2006

1.8L 4 cyl DOHC 20V TMPFI Turbo 8N
Eng code: AUQ
OAP OAP022

Dec 2004 - Oct 2006

3.2L V6 DOHC 24V MPFI 8N
Eng code: BHE
OAP (Alt Bosch 120A, Valeo 120A) OAP022

Aug 2005 - Jan 2006

1.8L 4 cyl DOHC 20V TMPFI Turbo 8N
Eng code: AUM
OAP (Alt Bosch 120A, Hitachi 120A, Valeo 120A) OAP022

Aug 2005 - Dec 2006

1.8L 4 cyl DOHC 20V TMPFI Turbo 8N
Eng code: BVR
OAP (Alt Bosch 120A, Hitachi 120A, Valeo 120A) OAP022

Feb 2006 - Oct 2006

1.8L 4 cyl DOHC 20V TMPFI Turbo 8N
Eng code: BVP
OAP (Alt Bosch 120A, Hitachi 120A, Valeo 120A) OAP022

Nov 2006 - Oct 2010

2.0L 4 cyl DOHC 16V TFSI Turbo 8J
Eng code: BWA
OAP OAP023

Jul 2009 -

1.8L 4 cyl DOHC 16V TFSI Turbo 8J
Eng code: CDAA
OAP (Alt Bosch 140A) OAP122

Jul 2009 - Oct 2010

2.0L 4 cyl DOHC 16V DTFI Turbo Diesel 8J
Eng code: CBBB
OAP (Alt Bosch 140A, Valeo 140A) OAP023

Jul 2009 - Oct 2010

2.0L 4 cyl DOHC 16V TFSI Turbo 8J
Eng code: CCZA
OAP OAP122

Nov 2010 - Jan 2015

2.0L 4 cyl DOHC 16V CRD Turbo Diesel 8J
Eng code: CFGB
OAP OAP022

Nov 2010 - Jan 2015

2.0L 4 cyl DOHC 16V TFSI Turbo 8J
Eng code: CESA
OAP (Alt Valeo 140A) OAP076

Feb 2015 -

2.0L 4 cyl DOHC VVT 16V TFSI Turbo FV
Eng code: 2.0
OAP (Alt Valeo 140A) OAP076

BMW

116i

Feb 2005 - Feb 2008

1.6L 4 cyl V-DOHC 16V MPFI E87
Eng code: N45B16
OAP (Alt Bosch, 110A) OAP048
OAP (Alt Bosch, 150A) OAP049

Oct 2011 -

1.6L 4 cyl V-DOHC 16V TMPFI Turbo F20
Eng code: N13B16A
OAP OAP236

118i

Feb 2005 - Feb 2007

2.0L 4 cyl V-DOHC 16V MPFI E87
Eng code: N46B20
OAP (Alt Bosch, 110A) OAP048

Jun 2015 -

1.6L 4 cyl V-DOHC 16V TMPFI Turbo F20
Eng code: N13B16U
OAP OAP236

Nov 2015 -

1.5L 3 cyl DOHC VVT 12V TMPFI Turbo F20
Eng code: B38B15A
OAP OAP236

1 2 0 i

Oct 2004 - Feb 2007

2.0L 4 cyl V-DOHC 16V MPFI E87
Eng code: N46B20
OAP (Alt Bosch, 110A) OAP048

Feb 2007 - Sep 2011

2.0L 4 cyl V-DOHC 16V MPFI E87
Eng code: N43B20
OAP (Alt Bosch, 180A) To %8 OAP066

Nov 2008 - Jan 2015

2.0L 4 cyl V-DOHC 16V MPFI E88
Eng code: N43B20
OAP (Alt Bosch, 110A) OAP048
OAP (Alt Bosch, 150A) OAP049
OAP (180A) OAP066

Jun 2015 -

2.0L 4 cyl DOHC VVT 16V TMPFI Turbo F20
Eng code: N13B16
OAP OAP236

1 2 5 i

May 2008 -

3.0L 6 cyl V-DOHC 24V MPFI E82
Eng code: N52B30
OAP (Alt Bosch, 120A, 140A, 150A, 155A) OAP049
OAP (Alt Bosch, 180A) OAP066

May 2008 -

3.0L 6 cyl V-DOHC 24V MPFI E88
Eng code: N52B30
OAP (Alt Bosch, 150A) OAP049
OAP (Alt Bosch, 180A) OAP066

Apr 2012 -

2.0L 4 cyl DOHC 16V Direct FI Turbo F20
Eng code: N20B20A
OAP OAP236

1 3 0 i

Nov 2005 -

3.0L 6 cyl V-DOHC 24V MPFI E87
Eng code: N52B30
OAP (Alt Valeo) OAP031
OAP (Alt Bosch, 150A) OAP049
OAP (Alt Bosch, 180A) OAP066

2 2 0 i

Feb 2015 -

2.0L 4 cyl DOHC VVT 16V TFSI Turbo F23
Eng code: N20B20A
OAP OAP236

2 2 8 i

Aug 2014 -

2.0L 4 cyl DOHC VVT 16V TFSI Turbo F22
Eng code: N20B20A
OAP OAP236

Feb 2015 -

2.0L 4 cyl DOHC VVT 16V TFSI Turbo F23
Eng code: N20B20A
OAP OAP236

3 1 6 i

May 2013 -

1.6L 4 cyl DOHC VVT 16V TFSI F30
Eng code: N13B16A
OAP OAP236

3 1 6 ti

Nov 2001 - Jul 2005

1.8L 4 cyl DOHC 16V MPFI E46
Eng code: N42B18A
OAP (Alt Bosch, 110A) OAP048
OAP (Alt Bosch, 120A, 150A) OAP049
OAP (Alt Valeo, 90A, 110A, 120A, 140A) OAP031

3 1 8 i

Oct 2001 - Jan 2004

2.0L 4 cyl DOHC 16V MPFI E46
Eng code: N42B20
OAP (Alt Valeo, 90A, 110A, 120A, 140A) OAP031
OAP (Alt Bosch, 110A) OAP048
OAP (Alt Bosch, 120A, 150A) OAP049

Mar 2001 - Apr 2005

2.0L 4 cyl DOHC 16V MPFI E46
Eng code: N46B20
OAP (Alt Valeo, 90A, 110A, 120A, 140A) OAP031
OAP (Alt Bosch, 110A) OAP048
OAP (Alt Bosch, 120A, 150A) OAP049

3 1 8 Ci

Mar 2001 - May 2006

2.0L 4 cyl DOHC 16V MPFI E46
Eng code: N46B20
OAP (Alt Valeo, 90A, 110A, 120A, 140A) OAP031
OAP (Alt Bosch, 110A) OAP048
OAP (Alt Bosch, 120A, 150A) OAP049

3 1 8 Ti

Apr 2001 - Feb 2004

2.0L 4 cyl DOHC 16V MPFI E46
Eng code: N42B20
OAP (Alt Valeo, 90A, 110A, 120A, 140A) OAP031
OAP (Alt Bosch, 110A) OAP048
OAP (Alt Bosch, 120A, 150A) OAP049

Oct 2003 - Dec 2004

2.0L 4 cyl DOHC 16V MPFI E46
Eng code: N46B20
OAP (Alt Valeo, 90A, 110A, 120A, 140A) OAP031
OAP (Alt Bosch, 110A) OAP048
OAP (Alt Bosch, 120A, 150A) OAP049

3 2 0 d

1999 - 2005

2.0L 4 cyl DOHC 16V CRD Turbo Diesel E46
Eng code: M47D20
OAP (Alt Valeo) OAP031

Jun 2006 - Jan 2008

2.0L 4 cyl DOHC 16V DTFI Turbo Diesel E90
Eng code: M47D20D
OAP (Alt Valeo) OAP031

Feb 2012 - Sep 2015

2.0L 4 cyl DOHC 16V DTFI Turbo Diesel F30
Eng code: N47D20C
OAP OAP194

3 2 0 i

May 2005 - Jan 2012

2.0L 4 cyl DOHC VVT 16V MPFI E90
Eng code: N46B20
OAP (Alt Bosch, 180A) OAP048
OAP (Alt Bosch, 150A) OAP049

Mar 2005 - Sep 2012

2.0L 4 cyl DOHC VVT 16V MPFI E91
Eng code: N46B20
OAP (Alt Bosch 180A) OAP048
OAP (Alt Bosch 150A) OAP049

Oct 2006 - Jan 2010

2.0L 4 cyl DOHC VVT 16V MPFI E92
 Eng code: N46B20
 OAP (Alt Bosch 180A)OAP048
 OAP (Alt Bosch 150A)OAP049

Oct 2006 - Jan 2010

2.0L 4 cyl DOHC VVT 16V MPFI E93
 Eng code: N46B20
 OAP (Alt Bosch 180A)OAP048
 OAP (Alt Bosch 150A)OAP049

Apr 2012 -

2.0L 4 cyl DOHC 16V TMPFI F30
 Eng code: N20B20B
 OAPOAP236

Dec 2012 -

2.0L 4 cyl DOHC 16V TMPFI F31
 Eng code: N20B20B
 OAPOAP236

May 2013 -

2.0L 4 cyl DOHC 16V TMPFI F34
 Eng code: N20B20B
 OAPOAP236

3 2 3 i

Apr 2005 - Mar 2007

2.5L 6 cyl DOHC VVT 24V MPFI E90
 Eng code: N52B25
 OAP (Alt Bosch, 150A)OAP049
 OAP (Alt Valeo)OAP031

Jun 2005 - Jan 2012

2.5L 6 cyl DOHC VVT 24V MPFI E90
 Eng code: N52B25
 OAP (Alt Bosch, 150A)OAP049
 OAP (Alt Valeo)OAP031

Jun 2006 - May 2007

2.5L 6 cyl DOHC VVT 24V MPFI E91
 Eng code: N52B25
 OAP (Alt Bosch, 150A)OAP049

Jan 2007 - Apr 2010

2.5L 6 cyl V-DOHC 24V MPFI E92
 Eng code: N52B25
 OAP (Alt Valeo)OAP031

Jun 2007 - Sep 2012

2.5L 6 cyl DOHC VVT 24V MPFI E91
 Eng code: N52B25
 OAP (Alt Bosch, 150A)OAP049

3 2 5 i

Jul 2004 - Aug 2007

2.5L 6 cyl DOHC 24V MPFI E90
 Eng code: N52B25
 OAP (Alt Valeo)OAP031
 OAP (Alt Bosch)OAP049

Sep 2007 - Jan 2012

2.5L 6 cyl DOHC 24V MPFI E90
 Eng code: N52B25A
 OAP (Alt Valeo)OAP031
 OAP (Alt Bosch, 150A)OAP049

3 2 8 i

Feb 2012 -

2.0L 4 cyl DOHC 16V TMPFI Turbo F30
 Eng code: N20B20A
 OAPOAP236

Mar 2013 -

2.0L 4 cyl DOHC 16V TMPFI Turbo F31
 Eng code: N20B20B
 OAPOAP236

May 2013 -

2.0L 4 cyl DOHC 16V TMPFI Turbo F34
 Eng code: N20B20A
 OAPOAP236

3 3 0 i

May 2005 - Nov 2006

3.0L 6 cyl DOHC 24V MPFI E90
 Eng code: N52B30
 OAP (Alt Valeo)OAP031
 OAP (Alt Bosch, 150A)OAP049

3 3 5 i

Dec 2006 - Mar 2010

3.0L 6 cyl DOHC 24V TMPFI Turbo E90
 Eng code: N54B30A
 OAP (Alt Bosch, 180A)OAP066

Apr 2010 - Jan 2012

3.0L 6 cyl DOHC 24V TMPFI Turbo E90
 Eng code: N55B30A
 OAP (Alt Bosch, 180A)OAP066

4 2 0 i

Jan 2014 -

2.0L 4 cyl DOHC VVT 16V TMPFI F32
 Eng code: N20B20B
 OAPOAP236

4 2 8 i

Oct 2013 -

2.0L 4 cyl DOHC 16V TMPFI Turbo F32
 Eng code: N20B20A
 OAPOAP236

5 2 5 i

Mar 2005 - Feb 2007

2.5L 6 cyl DOHC 24V MPFI E60
 Eng code: N52B25
 OAP (Alt Bosch, 150A, 180A)OAP049

5 2 8 i

Nov 2011 -

2.0L 6 cyl DOHC VVT 24V TFSI Turbo F10
 Eng code: N20B20B
 OAPOAP236

5 3 0 i

May 2005 - Aug 2010

3.0L 6 cyl DOHC VVT 24V MPFI E60/E61
 Eng code: N52B30
 OAP (Alt Valeo)OAP031
 OAP (Alt Bosch 150A, 180A)OAP049

X 1

Apr 2010 - Aug 2012

2.0L 4 cyl DOHC VVT 16V MPFI E84 18i
 Eng code: N46B20B
 OAPOAP049

Apr 2010 - Jan 2012

3.0L 6 cyl DOHC 24V MPFI E84 25i
 Eng code: N52B30
 OAPOAP049

Sep 2012 - Sep 2015

2.0L 4 cyl DOHC 16V DTFI Turbo Diesel E84 18d
 Eng code: N47D20C
 OAPOAP194

Sep 2012 - Sep 2015

2.0L 4 cyl DOHC 16V DTFI Turbo Diesel E84 20d
 Eng code: N47D20C
 OAPOAP194

Sep 2012 - Sep 2015

2.0L 4 cyl DOHC 16V TMPFI Turbo E84 20i
Eng code: N20B20A
OAP OAP236

X3

Dec 2006 - Feb 2011

3.0L 6 cyl DOHC 24V MPFI E83 30i
Eng code: N52B30
OAP (Alt Bosch 180A) OAP049

Mar 2011 -

2.0L 4 cyl DOHC 16V DTFI Turbo Diesel F25 20d
Eng code: N47D20C
OAP (Alt Valeo) OAP194

Dec 2011 -

2.0L 4 cyl DOHC 16V TMPFI Turbo F25 20i
Eng code: N20B20A
OAP OAP236

May 2012 -

2.0L 4 cyl DOHC 16V TMPFI Turbo F25 28i
Eng code: N20B20A
OAP OAP236

May 2014 -

2.0L 4 cyl DOHC 16V CRD Turbo F25 20d
Eng code: B47D40A
OAP OAP194

X5

Mar 2007 - May 2010

3.0L 6 cyl DOHC 24V MPFI E70
Eng code: N52B30
OAP (6PK To Suit Bosch Alt, 150A, 180A) OAP049
OAP (7PK To Suit Bosch Alt, 180A) OAP066

Nov 2013 -

2.0L 4 cyl DOHC 16V CRD Twin Turbo Diesel F15 25d
Eng code: N47D20C
OAP OAP194

X4

Jun 2014 -

2.0L 4 cyl DOHC VVT 16V TMPFI Turbo F26 20i
Eng code: N20B20A
OAP OAP236

Z4

Jun 2004 - Aug 2008

2.0L 4 cyl DOHC VVT 16V MPFI E85
Eng code: N46B20
OAP OAP049

Oct 2007 - Aug 2011

3.0L 6 cyl DOHC VVT 24V E85, E86, E89
Eng code: N52B30
OAP (6PK To Suit Bosch Alt, 150A, 180A) OAP049
OAP (7PK To Suit Bosch Alt, 180A) OAP066

Oct 2011 -

2.0L 4 cyl DOHC VVT 16V Di Turbo E89
Eng code: N20B20
OAP OAP236

Chevrolet

Lumina

Aug 2006 - Aug 2010

6.0L V8 OHV 16V MPFI VE
Eng code: L98 GEN 4
OAP (Alt Mitsubishi From 2009) OAP026

Chrysler

300

Jun 2006 - Jan 2012

3.0L V6 DOHC 24V CRD Turbo Diesel
Eng code: OM642
OAP OAP203

Grand Voyager

Jun 1997 - Apr 2001

3.3L V6 OHV 12V MPFI GS
Eng code: EGA
OAP (From 3/00) OAP009

May 2001 - Mar 2008

3.3L V6 OHV 12V MPFI RG
Eng code: EGA
OAP (Alt Denso) OAP009

Apr 2008 -

2.8L 4 cyl DOHC 16V CRD Turbo Diesel RT
Eng code: R428
OAP OAP027

Voyager

May 2001 - Mar 2008

3.3L V6 OHV 12V MPFI RG
Eng code: 3Y
OAP (Alt Denso, 140A, 160A) OAP009

Citroen

Berlingo

2007 - 2008

1.6L 4 cyl DOHC 16V CRD Turbo Diesel
Eng code: DV6B
OAP (Alt Valeo, 150A, 180A) OAP034
OAP (Alt Bosch, 150A) OAP035

Feb 2008 - Oct 2011

1.6L 4 cyl DOHC 8V DTFI Turbo Diesel B9 HDi
Eng code: DV6ATED4
OAP (Alt Valeo, 150A, 180A) OAP034
OAP (Alt Bosch, 150A) OAP035

Nov 2011 -

1.6L 4 cyl DOHC 8V DTFI Turbo Diesel B9 HDi
Eng code: DV6DBM
OAP (Alt Valeo, 150A, 180A) OAP034
OAP (Alt Bosch, 150A) OAP035

Dec 2014 -

1.6L 4 cyl SOHC 8V CRD Turbo Diesel
Eng code: DV6DTE
OAP (Alt Valeo, 150A, 180A) OAP034
OAP (Alt Bosch, 150A) OAP035

C3

Oct 2007 - Mar 2009

1.6L 4 cyl DOHC 16V DTFI Turbo Diesel
Eng code: 9HX (DV6ATED4)
OAP (Alt Valeo, 150A) OAP034
OAP (Alt Bosch, 150A) OAP035

Nov 2010 - Jan 2012

1.6L 4 cyl DOHC 16V CRD Turbo
Eng code: 9HP (DV6ATED4)
OAP (Alt Valeo, 97A, 150A,) OAP034

Nov 2010 -

1.6L 4 cyl DOHC 16V MPFI A5
Eng code: EP6C
OAP (Alt Valeo, 120A) OAP109

C 4

2005 - Aug 2010

2.0L 4 cyl DOHC 16V CRD Turbo Diesel	
Eng code: DW10BTED	
OAP (Alt Valeo, 180A)	OAP034
OAP (Alt Mitsubishi, 180A)	OAP063

Feb 2006 - Sep 2011

1.6L 4 cyl DOHC 16V DTFI Turbo Diesel	
Eng code: DV6TED4	
OAP (Alt Valeo, 150A)	OAP034
OAP (Alt Bosch, 150A)	OAP035

Mar 2007 - Sep 2011

1.6L 4 cyl DOHC 16V DTFI Turbo Diesel	
Eng code: DV6ATED4	
OAP (Alt Valeo, 150A)	OAP034
OAP (Alt Bosch, 150A)	OAP035

Sep 2007 - Jan 2012

2.0L 4 cyl DOHC 16V CRD Turbo Diesel	
Eng code: DW10BTED4	
OAP (Alt Valeo, 180A)	OAP034
OAP (Alt Mitsubishi, 180A)	OAP063

Mar 2009 -

1.6L 4 cyl DOHC 16V MPFI	
Eng code: EP6	
OAP (Alt Valeo, 120A)	OAP109

Oct 2011 -

1.6L 4 cyl DOHC 16V CRD I/C Turbo	
Eng code: DV6C	
OAP (Alt Valeo, 97A, 150A)	OAP034
OAP (Alt Bosch, 150A)	OAP035

Oct 2011 -

1.6L 4 cyl DOHC VVT 16V Di Turbo B7	
Eng code: EP6CDT	
OAP (Alt Valeo, 120A)	OAP109

Jul 2012 -

2.0L 4 cyl DOHC 16V MPFI	
Eng code: 4B11	
OAP	OAP011

C 5

Jun 2001 - Jan 2005

2.0L 4 cyl DOHC 16V DTFI Turbo Diesel Hdi	
Eng code: DW10ATED	
OAP (Alt Bosch, 150A)	OAP035
OAP (Alt Valeo, 150A)	OAP038

Mar 2005 - May 2006

2.2L 4 cyl DOHC 16V DTFI Turbo Diesel Hdi	
Eng code: DW12TED4	
OAP (Alt Bosch, 150A)	OAP035
OAP (Alt Valeo, 150A)	OAP038

Jun 2006 - Aug 2008

2.0L 4 cyl DOHC 16V DTFI Turbo Diesel Hdi	
Eng code: DW10BTED4	
OAP (Alt Valeo, 180A)	OAP034
OAP (Alt Mitsubishi, 180A)	OAP063

Mar 2007 - Aug 2008

2.2L 4 cyl DOHC 16V Twin Turbo Diesel Hdi	
Eng code: DW12BTED4	
OAP (Alt Bosch, 150A)	OAP035
OAP (Alt Mitsubishi, 180A)	OAP063

Sep 2008 - Jan 2010

2.0L 4 cyl DOHC 16V DTFI Turbo Diesel X7	
Eng code: DW10BTED4	
OAP (Alt Valeo, 180A)	OAP034
OAP (Alt Mitsubishi, 180A)	OAP063

Feb 2012 -

1.6L 4 cyl DOHC 16V DTFI Turbo Diesel X7	
Eng code: EP6CDT	
OAP (Alt Valeo, 120A)	OAP109

Jun 2013 -

2.2L 4 cyl DOHC VVT 16V CRD Turbo Diesel X7	
Eng code: 4HL (DW12)	
OAP (Alt Valeo 97A, 150A)	OAP034

Dispatch

Apr 2008 -

2.0L 4 cyl DOHC 16V DTFI Turbo Diesel	
Eng code: DW10UTED4	
OAP (Alt Bosch, 150A)	OAP035

DS3

Feb 2012 - Jan 2013

1.4L 4 cyl DOHC 16V MPFI DStyle	
Eng code: EP3C	
OAP (Alt Valeo 97A, 150A)	OAP109

DS4

Apr 2012 -

1.6L 4 cyl DOHC 16V CRD Turbo Diesel e-HDi	
Eng code: DV6C	
OAP (Alt Valeo, 97A, 150A)	OAP034

Feb 2012 - Jan 2013

1.6L 4 cyl DOHC 16V TMPFI Turbo DSTYLE	
Eng code: EP6DT	
OAP (Alt Valeo 120A)	OAP109

Oct 2012 -

1.6L 4 cyl DOHC 16V TMPFI Turbo DSTYLE	
Eng code: EP6DT	
OAP (Alt Valeo 120A)	OAP109

DS5

Sep 2012 - Jun 2015

1.6L 4 cyl DOHC VVT 16V TMPFI Turbo DSPORT	
Eng code: EP6CDT	
OAP (Alt Valeo 120A)	OAP109

Apr 2013 - Oct 2015

2.0L 4 cyl DOHC 16V DTFI Turbo Diesel DSPORT HDI	
Eng code: DW10CTED4	
OAP (Alt Valeo, 97A, 150A)	OAP034

Nov 2015 -

2.0L 4 cyl DOHC 16V DTFI Turbo Diesel DSPORT	
Eng code: DW10CTED4	
OAP (Alt Valeo, 97A, 150A)	OAP034

Xsara

2000 - 2005

2.0L 4 cyl SOHC 8V CRD Turbo Diesel	
Eng code: DW10TD	
OAP (Alt Mitsubishi 150A)	OAP033
OAP (Alt Bosch, 150A)	OAP035
OAP (Alt Valeo, 150A)	OAP038

Dodge

Avenger

Aug 2007 - Jul 2009

2.0L 4 cyl DOHC 16V MPFI JS	
Eng code: ECN	
OAP	OAP025

Aug 2007 - Jul 2009

2.4L 4 cyl DOHC 16V MPFI JS	
Eng code: ED3	
OAP	OAP025

Aug 2007 - Jun 2010

2.0L 4 cyl DOHC 16V DTFI Diesel PM
Eng code: ECD
OAP OAP025

Caliber

Aug 2006 -

2.0L 4 cyl DOHC 16V MPFI PM
Eng code: ECN
OAP (Alt Mitsubishi 115A) OAP085

Nitro

Jun 2007 - Jun 2010

2.8L 4 cyl DOHC 16V DTFI Turbo Diesel KA
Eng code: ENR
OAP OAP055

Ram 2500

2007 -

6.7L 6 cyl OHV 12V DTFI Turbo Diesel
Eng code: Cummins B series
OAP (Alt Bosch, 136A) OAP111

Ram 3500

2007 -

6.7L 6 cyl OHV 12V DTFI Turbo Diesel
Eng code: Cummins B series
OAP (Alt Bosch, 136A) OAP111

Fiat

500

Feb 2008 - Sep 2010

1.2L 4 cyl SOHC 16V DTFI Turbo Diesel
Eng code: 169A1.000
OAP (Alt Valeo, 90A, 105A) OAP067

Ducato

Feb 2007 - Jan 2012

2.3L 4 cyl DOHC 16V Turbo Diesel
Eng code: F1AE0481D
OAP (Alt Bosch, 140A) OAP068

Punto

Jul 2006 - Jan 2009

1.9L 4 cyl SOHC 16V DTFI Turbo Diesel Sport
Eng code: 199A5000
OAP (Alt Denso, 100A) OAP057
OAP (Alt Denso, 120A) OAP075

Scudo

Apr 2008 -

2.0L 4 cyl DOHC 16V DTFI Diesel
Eng code: DW10UTED4
OAP (Alt Valeo, 150A) OAP034
OAP (Alt Bosch, 150A) OAP035
OAP (Alt Mitsubishi, 180A) OAP063

Ford

Ecosport

Dec 2013 -

1.0L 3 cyl DOHC 12V TMPFI BK
Eng code: M1JC
OAP OAP236

Everest

Jul 2015 -

3.2L 5 cyl DOHC 20V DTFI Turbo Diesel UA
Eng code: P5AT
OAP OAP077

Falcon

Sep 1998 - Oct 2002

4.0L 6 cyl OHC 12V MPFI AU
Eng code: H
OAP Retro Fit OAP079

Sep 1998 - Oct 2002

4.0L 6 cyl OHC 12V MPFI AU VCT
Eng code: Y
OAP Retro Fit OAP079

Oct 2002 - Oct 2005

4.0L 6 cyl DOHC 24V MPFI BA
Eng code: Barra 182
OAP Retro Fit OAP079

Jan 2003 - Oct 2005

5.4L V8 SOHC 24V MPFI BA
Eng code: Barra 220
OAP OAP047

Jan 2003 - Oct 2005

5.4L V8 DOHC 32V MPFI BA XR8
Eng code: Boss 260
OAP OAP047

May 2008 - Sep 2011

5.4L V8 DOHC 32V MPFI FG XR8
Eng code: Boss 290
OAP OAP047

Fiesta

Nov 2009 - Sep 2010

1.6L 4 cyl SOHC 16V DTFI Turbo Diesel WS
Eng code: HHJE
OAP (Alt Valeo, 97A, 150A) OAP034
OAP (Alt Denso 120A) OAP137

Oct 2013 -

1.0L 3 cyl DOHC VVT 12V TFSI Turbo WZ
Eng code: M1JE
OAP OAP236

Focus

May 2003 - Apr 2005

2.0L 4 cyl DOHC VVT 16V MPFI LR ST170
Eng code: ALDA
Overrunning Alternator Pulley OAP021

May 2005 - Jun 2007

2.0L 4 cyl DOHC 16V MPFI LS
Eng code: DURATEC
Overrunning Alternator Pulley (Alt Visteon 110A) OAP021
Overrunning Alternator Pulley (Alt Denso 120A) OAP146

Apr 2006 - May 2008

2.5L 5 cyl DOHC 20V MPFI Turbo XR5 LS
Eng code: B5254T
OAP (Alt Denso, 150A) OAP110

Apr 2006 - May 2008

2.5L 5 cyl DOHC 20V MPFI Turbo XR5 LT
Eng code: B5254T
OAP (Alt Denso, 150A) OAP110

Jul 2007 - Mar 2009

2.0L 4 cyl DOHC 16V DTFI Turbo Diesel LT
Eng code: D4204T
Overrunning Alternator Pulley (Alt Denso 120A, 150A) OAP137

Jul 2007 - Mar 2009

2.0L 4 cyl DOHC 16V MPFI LT
Eng code: DURATEC
Overrunning Alternator Pulley (Alt Visteon 110A) OAP021
Overrunning Alternator Pulley (Alt Denso 120A) OAP146

Jun 2008 - Jun 2011

2.5L 5 cyl DOHC 20V MPFI Turbo XRS LV
Eng code: B5254T
OAP (Alt Denso, 150A)OAP110

Apr 2009 -

2.0L 4 cyl DOHC 16V DTFI Turbo Diesel LV
Eng code: D4204T
OAP (Alt Denso 120A, 150A)OAP137

Apr 2009 - Jun 2011

2.0L 4 cyl DOHC 16V MPFI LV
Eng code: AODB
Overrunning Alternator Pulley (Alt Visteon 110A).....OAP021
Overrunning Alternator Pulley (Alt Denso 120A)OAP146

Sep 2010 - Jun 2012

2.5L 5 cyl DOHC 20V TMPFI Turbo RS
Eng code: B5254T
OAP (Alt Denso, 150A)OAP110

Jul 2011 - Sep 2015

2.0L 4 cyl DOHC 16V MPFI LW
Eng code: MGDA DURATEC
Overrunning Alternator Pulley (Alt Visteon 110A).....OAP021
Overrunning Alternator Pulley (Alt Denso 120A)OAP146

Mondeo**Oct 2007 - Jun 2009**

2.0L 4 cyl DOHC 16V DTFI Turbo Diesel MA
Eng code: DURATorq
OAP (Alt Bosch, 150A, 156A)OAP035

Oct 2007 - Jun 2009

2.5L 5 cyl DOHC 20V TMPFI Turbo MA
Eng code: B5254T
OAP (Alt Bosch, 180A)OAP037

Jul 2009 - Oct 2010

2.0L 4 cyl DOHC 16V DTFI Turbo Diesel MB
Eng code: DURATorq
OAP (Alt Bosch, 150A, 156A)OAP035

Jul 2009 - Mar 2014

2.5L 5 cyl DOHC 20V TMPFI Turbo MB
Eng code: B5254T
OAP (Alt Bosch, 180A)OAP037

May 2010 - Apr 2015

2.0L 4 cyl DOHC 16V CRD Turbo Diesel MB,MC
Eng code: TXBA (D4204T7)
OAPOAP035

May 2015 -

2.0L 4 cyl DOHC 16V TDCi Turbo Diesel MD
Eng code: T8CF
OAP (Alt Bosch, 150A, 156A)OAP035

Ranger**Sep 2011 - Jul 2015**

2.2L 4 cyl DOHC 16V TCDI Turbo Diesel PX
Eng code: P4AT
OAPOAP077

Sep 2011 -

3.2L 5 cyl DOHC 20V TCDI Turbo Diesel PX
Eng code: P5AT
OAPOAP077

Aug 2015 -

2.2L 4 cyl DOHC 16V TCDI Turbo Diesel PX
Eng code: P4AT
OAPOAP077

Territory**May 2011 -**

2.7L V6 DOHC 24V TDCi Diesel SZ
Eng code: 276DT
OAPOAP027

Transit**Jan 2001 - Apr 2004**

2.4L 4 cyl DOHC 16V DTFI Turbo Diesel VH
Eng code: D4FA
OAP (Alt Bosch, 110A)OAP061
OAP (Alt Visteon, 110A)OAP062
Overrunning Alternator Pulley (Alt Mako 110A)OAP186

Jan 2001 - Apr 2004

2.5L 4 cyl DOHC 16V DTFI Turbo Diesel VH
Eng code: D2FA
OAP (Alt Bosch, 110A)OAP061
OAP (Alt Visteon, 110A)OAP062
Overrunning Alternator Pulley (Alt Mako 110A)OAP186

Mar 2004 - Sep 2006

2.4L 4 cyl DOHC 16V DTFI Turbo Diesel VH
Eng code: H9FA
OAP (Alt Bosch, 110A)OAP061
OAP (Alt Visteon, RCP Alternator 110A)OAP062
Overrunning Alternator Pulley (Alt Mako 110A)OAP186

May 2004 - Oct 2006

2.4L 4 cyl DOHC 16V DTFI Turbo Diesel VJ
Eng code: FXFA
OAP (Alt Bosch, 110A)OAP061
OAP (Alt Visteon, RCP Alternator 110A)OAP062
Overrunning Alternator Pulley (Alt Mako 110A)OAP186

Oct 2006 - Feb 2012

2.4L 4 cyl DOHC 16V DTFI Turbo Diesel VM
Eng code: H9FB
OAP (Alt Bosch, 156A)OAP077

FPV**Force 8****Nov 2006 - Jan 2008**

5.4L V8 DOHC 32V MPFI BF
Eng code: Boss 290
OAPOAP047

Jan 2008 - May 2008

5.4L V8 DOHC 32V MPFI BF
Eng code: Boss 302
OAP PulleyOAP047

GS**Sep 2009 - Sep 2010**

5.4L V8 DOHC 32V MPFI FG
Eng code: Boss 302
OAP PulleyOAP047

GT**Oct 2005 - Jan 2008**

5.4L V8 DOHC 32V MPFI BF
Eng code: Boss 290
OAPOAP047

Jan 2008 - May 2008

5.4L V8 DOHC 32V MPFI BF
Eng code: Boss 302
OAP PulleyOAP047

Jun 2008 - Sep 2010

5.4L V8 DOHC 32V MPFI FG
Eng code: Boss 315
OAP PulleyOAP047

GT Cobra**Oct 2007 - May 2008**

5.4L V8 DOHC 32V MPFI BF
Eng code: Boss 302
OAP PulleyOAP047

GT-E

Jun 2008 - Sep 2010

5.4L V8 DOHC 32V MPFI FG
Eng code: Boss 315
OAP Pulley.....OAP047

GT-P

Mar 2003 - Sep 2005

5.4L V8 DOHC 32V MPFI BA
Eng code: Boss 290
OAPOAP047

Oct 2005 - Jan 2008

5.4L V8 DOHC 32V MPFI BF
Eng code: Boss 290
OAPOAP047

Jan 2008 - May 2008

5.4L V8 DOHC 32V MPFI BF
Eng code: Boss 302
OAPOAP047

Jun 2008 - Sep 2010

5.4L V8 DOHC 32V MPFI FG
Eng code: Boss 315
OAPOAP047

Pursuit

Mar 2003 - Sep 2005

5.4L V8 DOHC 32V MPFI BA
Eng code: Boss 290
OAPOAP047

Oct 2005 - Jan 2008

5.4L V8 DOHC 32V MPFI BF
Eng code: Boss 290
OAPOAP047

Jan 2008 - May 2008

5.4L V8 DOHC 32V MPFI BF
Eng code: Boss 302
OAP Pulley.....OAP047

Jun 2008 - Oct 2014

5.4L V8 DOHC 32V MPFI FG
Eng code: Boss 315
OAP Pulley.....OAP047

Super Pursuit

Apr 2005 - Sep 2005

5.4L V8 DOHC 32V MPFI BA
Eng code: Boss 290
OAPOAP047

Oct 2005 - Jan 2008

5.4L V8 DOHC 32V MPFI BF
Eng code: Boss 290
OAPOAP047

Jan 2008 - May 2008

5.4L V8 DOHC 32V MPFI BF
Eng code: Boss 302
OAP Pulley.....OAP047

Jun 2008 - Sep 2010

5.4L V8 DOHC 32V MPFI FG
Eng code: Boss 315
OAP Pulley.....OAP047

Holden

Astra

Apr 2000 - Jun 2004

1.8L 4 cyl DOHC 16V MPFI TS
Eng code: Z18XE
OAPOAP016

Oct 2001 - May 2003

2.2L 4 cyl DOHC 16V MPFI TS
Eng code: Z22SEL
OAPOAP030

May 2003 - Jul 2004

2.2L 4 cyl DOHC 16V MPFI TS
Eng code: Z22SE
OAPOAP030

Nov 2004 - Mar 2007

1.8L 4 cyl DOHC 16V MPFI AH
Eng code: Z18XE
OAPOAP016

Jun 2006 - Mar 2010

1.9L 4 cyl SOHC 8V DTFI Turbo Diesel AH
Eng code: Z19DT
OAP (Alt Denso, 120A, 140A)OAP071

Jun 2006 - Mar 2010

1.9L 4 cyl DOHC 16V DTFI Turbo Diesel AH
Eng code: Z19DTH
OAP (Alt Denso, 120A, 140A)OAP071

Apr 2007 - Mar 2010

1.8L 4 cyl DOHC 16V MPFI AH
Eng code: Z18XER
OAPOAP037

Barina

Nov 2011 -

1.6L 4 cyl DOHC 16V MPFI TM
Eng code: F16D4
OAPOAP002

Nov 2013 -

1.4L 4 cyl V-DOHC 16V TMPFI Turbo RS
Eng code: A14NET
OAPOAP194

Calais

May 2013 -

3.6L V6 V-DOHC 24V VF
Eng code: LFX
OAPOAP025

May 2013 -

6.0L V8 OHV 16V MPFI VF
Eng code: L77
OAPOAP026
OAP 8 Rib Retro Fit.....OAP097

Caprice

Oct 2000 - Apr 2003

3.8L V6 OHV 12V MPFI WH
Eng code: L67
OAP Retro FitOAP078

May 2013 -

6.0L V8 OHV 16V MPFI WN
Eng code: L77
OAPOAP026
OAP 8 Rib Retro Fit.....OAP097

May 2013 -

3.6L V6 DOHC 24V MPFI WN
Eng code: LWR
OAPOAP025

Captiva

Mar 2007 - Jan 2011

2.0L 4 cyl SOHC 16V DTFI Turbo Diesel CG
Eng code: Z20S1
OAP (Alt Bosch)OAP004

Feb 2011 -

2.2L 4 cyl V-DOHC 16V DTFI Turbo Diesel CGI
Eng code: Z22D1
OAPOAP018

Colorado

Jun 2012 - Oct 2013

2.8L 4 cyl DOHC 16V DTFI Turbo Diesel RG
Eng code: LWH
OAPOAP152

Jun 2012 - Oct 2013

2.5L 4 cyl DOHC 16V DTFI Diesel RG
Eng code: LVN
OAPOAP152

Nov 2013 - May 2014

2.5L 4 cyl DOHC 16V DTFI Diesel RG
Eng code: LVN
OAPOAP152

Nov 2013 -

2.8L 4 cyl DOHC 16V DTFI Turbo Diesel RG
Eng code: LWN
OAPOAP152

Colorado 7

Nov 2012 - Oct 2013

2.8L 4 cyl DOHC 16V CRD Turbo Diesel RG
Eng code: LWH
OAPOAP152

Nov 2013 - Sep 2016

2.8L 4 cyl DOHC 16V CRD Turbo Diesel RG
Eng code: LWN
OAPOAP152

Commodore

Apr 1995 - Apr 1996

3.8L V6 OHV 12V MPFI VS
Eng code: LG2 (L27)
OAP Retro FitOAP078

May 1996 - Dec 2000

3.8L V6 OHV 12V MPFI VS
Eng code: LG2 (L36)
OAP Retro FitOAP078

Sep 1997 - Oct 2000

3.8L V6 OHV 12V MPFI VT
Eng code: LN3 (L36)
OAP Retro FitOAP078

Sep 1997 - Oct 2000

3.8L V6 OHV 12V MPFI VT (Supercharged)
Eng code: L67
OAP Retro FitOAP078

Jun 1999 - Oct 2000

5.7L V8 OHV 16V MPFI VT
Eng code: LS1 GEN III
OAP Retro FitOAP019
OAP 8 Rib Retro Fit.....OAP080

Oct 2000 - Sep 2002

3.8L V6 OHV 12V MPFI VX
Eng code: LN3 (L36)
OAP Retro FitOAP078

Oct 2000 - Sep 2002

3.8L V6 OHV 12V MPFI VX (Supercharged)
Eng code: L67
OAP Retro FitOAP078

Oct 2000 - Sep 2002

5.7L V8 OHV 16V MPFI VX
Eng code: LS1 GEN III
OAP Retro FitOAP019
OAP 8 Rib Retro Fit.....OAP080

Dec 2000 - Sep 2002

5.7L V8 OHV 16V MPFI VU
Eng code: LS1 GEN III
OAP Retro FitOAP019
OAP 8 Rib Retro Fit.....OAP080

Sep 2002 - Aug 2004

3.8L V6 OHV 12V MPFI VY
Eng code: LN3 (L36)
OAP Retro FitOAP078

Sep 2002 - Aug 2004

3.8L V6 OHV 12V MPFI VY (Supercharged)
Eng code: L67
OAP Retro FitOAP078

Aug 2002 - Jul 2003

5.7L V8 OHV 16V MPFI VY
Eng code: LS1 GEN III
OAP Retro FitOAP019
OAP 8 Rib Retro Fit.....OAP080

Aug 2003 - Aug 2004

5.7L V8 OHV 16V MPFI VYII
Eng code: LS1 GEN III
OAP Retro FitOAP019
OAP 8 Rib Retro Fit.....OAP080

Feb 2004 - Jan 2006

5.7L V8 OHV 16V MPFI VZ
Eng code: LS1 GEN III
OAP Retro FitOAP019
OAP 8 Rib Retro Fit.....OAP080

Feb 2006 - Aug 2007

6.0L V8 OHV 16V MPFI VZ
Eng code: L76 GEN 4
OAP 6 Rib Retro Fit.....OAP019
OAP 8 Rib Retro Fit.....OAP080

Aug 2006 - Aug 2010

6.0L V8 OHV 16V MPFI VE
Eng code: L98 GEN 4
OAP (Alt Mitsubishi From 2009).....OAP026

Sep 2009 - Aug 2010

3.0L V6 V-DOHC 24V VE
Eng code: LF1
OAP (Alt Mitsubishi)OAP025

Sep 2009 - Aug 2011

3.6L V6 V-DOHC 24V VE
Eng code: LLT
OAP (Alt Mitsubishi)OAP025

Sep 2010 - Apr 2013

3.0L V6 V-DOHC 24V VE II
Eng code: LFW
OAP (Alt Mitsubishi)OAP025

Sep 2010 - Apr 2013

6.0L V8 OHV 16V VE
Eng code: L77
OAP (Alt Mitsubishi)OAP026
OAP 8 Rib Retro Fit (Alt Mitsubishi)OAP097

Sep 2010 - Apr 2013

3.6L V6 DOHC 24V Direct FI VE II
Eng code: LFX
OAP (Alt Mitsubishi)OAP025

May 2013 -

3.0L V6 V-DOHC 24V MPFI VF
Eng code: LFW
OAP (Alt Mitsubishi)OAP025

May 2013 -

6.0L V8 OHV 16V MPFI VF
Eng code: L77
OAPOAP026
OAP 8 Rib Retro Fit.....OAP097

May 2013 -

3.6L V6 DOHC 24V MPFI VF
Eng code: LFX
OAP (Alt Mitsubishi) OAP025

May 2013 -

3.6L V6 DOHC 24V LPG VF
Eng code: LWR
OAP (Alt Mitsubishi) OAP025

Oct 2015 -

6.2L V8 OHV 16V MPFI VF
Eng code: LS3
OAP OAP026
OAP 8 Rib Retro Fit..... OAP097

Crewman

Aug 2006 - Aug 2007

6.0L V8 OHV 16V MPFI VZ MY06
Eng code: GEN 4 L76
OAP Retro Fit OAP019
OAP 8 Rib Retro Fit..... OAP080

Cruze

Jun 2009 - Feb 2011

1.8L 4 cyl DOHC 16V MPFI JG
Eng code: F18D4
OAP OAP002

May 2009 - Feb 2011

2.0L 4 cyl SOHC 16V DTFI Turbo Diesel JG
Eng code: Z20S1
OAP OAP018

Mar 2011 - Feb 2015

2.0L 4 cyl SOHC 16V DTFI Turbo Diesel JH II
Eng code: Z20D1
OAP OAP018

Mar 2011 - Jan 2015

1.4L 4 cyl V-DOHC 16V TMPFI Turbo JH
Eng code: A14NET
OAP OAP194

Mar 2013 -

1.6L 4 cyl DOHC 16V MPFI Turbo JH Series 2
Eng code: A16LET
OAP OAP002

Epica

Jul 2008 - Feb 2011

2.0L 4 cyl SOHC 16V DTFI Turbo Diesel EP
Eng code: Z20S1
OAP OAP004

Statesman (From 1994)

May 1996 - Jun 1999

3.8L V6 OHV 12V MPFI VS
Eng code: LG2 (L36)
OAP Retro Fit OAP078

Jun 1999 - Apr 2003

3.8L V6 OHV 12V MPFI WH
Eng code: LN3 (L36)
OAP Retro Fit OAP078

Jun 1999 - Apr 2003

5.7L V8 OHV 16V MPFI WH
Eng code: LS1 GEN III
OAP Retro Fit OAP019
OAP 8 Rib Retro Fit..... OAP080

Oct 2000 - Apr 2003

3.8L V6 OHV 12V MPFI WH
Eng code: L67
OAP Retro Fit OAP078

May 2003 - Aug 2004

3.8L V6 OHV 12V MPFI WK
Eng code: LN3 (L36)
OAP Retro Fit OAP078

May 2003 - Jul 2003

5.7L V8 OHV 16V MPFI WK
Eng code: LS1 GEN III
OAP Retro Fit OAP019
OAP 8 Rib Retro Fit..... OAP080

Aug 2003 - Aug 2004

5.7L V8 OHV 16V MPFI WKII
Eng code: LS1 GEN III
OAP Retro Fit OAP019
OAP 8 Rib Retro Fit..... OAP080

Aug 2004 - Jul 2006

5.7L V8 OHV 16V MPFI WL
Eng code: LS1 GEN III
OAP Retro Fit OAP019
OAP 8 Rib Retro Fit..... OAP080

Feb 2006 - Jul 2006

6.0L V8 OHV 16V MPFI WL
Eng code: L76
OAP Retro Fit OAP019
OAP 8 Rib Retro Fit..... OAP080

Aug 2006 - Aug 2010

6.0L V8 OHV 16V MPFI WM
Eng code: L98
OAP Retro Fit (2006 Only)..... OAP019
OAP 8 Rib Retro Fit (2006 Only) OAP080

Trailblazer

Oct 2016 -

2.8L 4 cyl DOHC 16V DTFI Turbo Diesel RG
Eng code: LWN
OAP OAP152

Trax

Aug 2013 -

1.8L 4 cyl DOHC 16V MPFI TJ
Eng code: F18D4
OAP OAP002

Vectra

Mar 2003 - Dec 2006

2.2L 4 cyl DOHC 16V MPFI ZC
Eng code: Z22SE
OAP OAP030

Zafira

Jun 2001 - May 2006

2.2L 4 cyl DOHC 16V MPFI TT
Eng code: Z22SE
OAP OAP030

HSV

Avalanche

Dec 2003 - Sep 2004

5.7L V8 OHV 16V MPFI VY II
Eng code: LS1 GEN III
OAP (Alt Mitsubishi) OAP019
OAP 8 Rib Retro Fit (Alt Mitsubishi) OAP080

Oct 2004 - Apr 2006

5.7L V8 OHV 16V MPFI VZ
Eng code: LS1 GEN III
OAP (Alt Mitsubishi) OAP019
OAP 8 Rib Retro Fit (Alt Mitsubishi) OAP080

Clubsport**Jul 1999 - Oct 2000**

5.7L V8 OHV 16V MPFI VTII	
Eng code: LS1	
OAP (Alt Mitsubishi)	OAP019
OAP 8 Rib Retro Fit (Alt Mitsubishi)	OAP080

Sep 2000 - Oct 2002

5.7L V8 OHV 16V MPFI VX	
Eng code: LS1	
OAP (Alt Mitsubishi)	OAP019
OAP 8 Rib Retro Fit (Alt Mitsubishi)	OAP080

Oct 2002 - Jul 2003

5.7L V8 OHV 16V MPFI VY	
Eng code: LS1	
OAP (Alt Mitsubishi)	OAP019
OAP 8 Rib Retro Fit (Alt Mitsubishi)	OAP080

Aug 2003 - Sep 2004

5.7L V8 OHV 16V MPFI VYII	
Eng code: LS1	
OAP (Alt Mitsubishi)	OAP019
OAP 8 Rib Retro Fit (Alt Mitsubishi)	OAP080

Oct 2004 - Jul 2006

6.0L V8 OHV 16V MPFI VZ	
Eng code: LS2	
OAP (Alt Mitsubishi)	OAP019
OAP 8 Rib Retro Fit (Alt Mitsubishi)	OAP080

Aug 2006 - Mar 2008

6.0L V8 OHV 16V MPFI VE	
Eng code: LS2	
OAP (Alt Mitsubishi)	OAP026
OAP 8 Rib Retro Fit (Alt Mitsubishi)	OAP097

Apr 2008 - May 2013

6.2L V8 OHV 16V MPFI VE	
Eng code: LS3	
OAP (Alt Mitsubishi)	OAP026
OAP 8 Rib Retro Fit (Alt Mitsubishi)	OAP097

Sep 2010 - May 2013

6.2L V8 OHV 16V MPFI VE LPG	
Eng code: LS3	
OAP (Alt Mitsubishi)	OAP026
OAP 8 Rib Retro Fit (Alt Mitsubishi)	OAP097

Jun 2013 -

6.2L V8 OHV 16V MPFI VF	
Eng code: LS3	
OAP	OAP026
OAP 8 Rib Retro Fit.....	OAP097

Coupe 4**Jul 2004 - Apr 2006**

5.7L V8 OHV 16V MPFI V2	
Eng code: LS1	
OAP (Alt Mitsubishi)	OAP019
OAP 8 Rib Retro Fit (Alt Mitsubishi)	OAP080

Coupe GTS**Dec 2001 - Jul 2003**

5.7L V8 OHV 16V MPFI V2	
Eng code: LS1	
OAP (Alt Mitsubishi)	OAP019
OAP 8 Rib Retro Fit (Alt Mitsubishi)	OAP080

Aug 2003 - Sep 2004

5.7L V8 OHV 16V MPFI V2	
Eng code: LS1	
OAP (Alt Mitsubishi)	OAP019
OAP 8 Rib Retro Fit (Alt Mitsubishi)	OAP080

Coupe Signature**Jul 2006 - Nov 2007**

6.0L V8 OHV 16V MPFI VZ	
Eng code: LS2	
OAP (Alt Mitsubishi)	OAP019
OAP 8 Rib Retro Fit (Alt Mitsubishi)	OAP080

Grange**Jul 1999 - Jul 2003**

5.7L V8 OHV 16V MPFI WH	
Eng code: LS1	
OAP (Alt Mitsubishi)	OAP019
OAP 8 Rib Retro Fit (Alt Mitsubishi)	OAP080

Aug 2003 - Sep 2003

5.7L V8 OHV 16V MPFI WH	
Eng code: LS1	
OAP (Alt Mitsubishi)	OAP019
OAP 8 Rib Retro Fit (Alt Mitsubishi)	OAP080

Oct 2003 - Sep 2004

5.7L V8 OHV 16V MPFI WK	
Eng code: LS1	
OAP (Alt Mitsubishi)	OAP019
OAP 8 Rib Retro Fit (Alt Mitsubishi)	OAP080

Sep 2004 - Jul 2006

6.0L V8 OHV 16V MPFI WL	
Eng code: LS2	
OAP (Alt Mitsubishi)	OAP026
OAP 8 Rib Retro Fit (Alt Mitsubishi)	OAP097

Mar 2007 - Mar 2008

6.0L V8 OHV 16V MPFI WM	
Eng code: LS2	
OAP (Alt Mitsubishi)	OAP026
OAP 8 Rib Retro Fit (Alt Mitsubishi)	OAP097

Apr 2008 - May 2013

6.2L V8 OHV 16V MPFI WM	
Eng code: LS3	
OAP 8 Rib Retro Fit (Alt Mitsubishi)	OAP026
OAP 8 Rib Retro Fit (Alt Mitsubishi)	OAP097

Jun 2013 -

6.2L V8 OHV 16V MPFI WN	
Eng code: LS3	
OAP	OAP026
OAP 8 Rib Retro Fit.....	OAP097

GTS**Apr 2000 - Sep 2000**

5.7L V8 OHV 16V MPFI VTII	
Eng code: LS1 GEN III	
OAP (Alt Mitsubishi)	OAP019
OAP 8 Rib Retro Fit (Alt Mitsubishi)	OAP080

Sep 2000 - Aug 2001

5.7L V8 OHV 16V MPFI VX	
Eng code: LS1 GEN III	
OAP (Alt Mitsubishi)	OAP019
OAP 8 Rib Retro Fit (Alt Mitsubishi)	OAP080

Oct 2002 - Jul 2003

5.7L V8 OHV 16V MPFI VY	
Eng code: LS1 GEN III	
OAP (Alt Mitsubishi)	OAP019
OAP 8 Rib Retro Fit (Alt Mitsubishi)	OAP080

Aug 2003 - Sep 2004

5.7L V8 OHV 16V MPFI VY	
Eng code: LS1 GEN III	
OAP (Alt Mitsubishi)	OAP019
OAP 8 Rib Retro Fit (Alt Mitsubishi)	OAP080

Aug 2006 - Mar 2008

6.0L V8 OHV 16V MPFI VE
 Eng code: LS2
 OAP (Alt Mitsubishi) OAP026
 OAP 8 Rib Retro Fit (Alt Mitsubishi) OAP097

Apr 2008 - Aug 2009

6.2L V8 OHV 16V MPFI VE
 Eng code: LS3
 OAP (Alt Mitsubishi) OAP026
 OAP 8 Rib Retro Fit (Alt Mitsubishi) OAP097

Sep 2010 - May 2013

6.2L V8 OHV 16V MPFI LPG VE
 Eng code: LS3
 OAP (Alt Mitsubishi) OAP026
 OAP 8 Rib Retro Fit (Alt Mitsubishi) OAP097

Maloo

Mar 2001 - Sep 2002

5.7L V8 OHV 16V MPFI VU
 Eng code: LS1 GEN III
 OAP (Alt Mitsubishi) OAP019
 OAP 8 Rib Retro Fit (Alt Mitsubishi) OAP080

Oct 2002 - Jul 2003

5.7L V8 OHV 16V MPFI VY
 Eng code: LS1 GEN III
 OAP (Alt Mitsubishi) OAP019
 OAP 8 Rib Retro Fit (Alt Mitsubishi) OAP080

Aug 2003 - Sep 2004

5.7L V8 OHV 16V MPFI VYII
 Eng code: LS1 GEN III
 OAP (Alt Mitsubishi) OAP019
 OAP 8 Rib Retro Fit (Alt Mitsubishi) OAP080

Oct 2004 - Sep 2007

6.0L V8 OHV 16V MPFI VZ
 Eng code: LS2
 OAP (Alt Mitsubishi) OAP019
 OAP 8 Rib Retro Fit (Alt Mitsubishi) OAP080

Oct 2007 - Mar 2008

6.0L V8 OHV 16V MPFI VE
 Eng code: LS2
 OAP (Alt Mitsubishi) OAP026
 OAP 8 Rib Retro Fit (Alt Mitsubishi) OAP097

Apr 2008 - May 2013

6.2L V8 OHV 16V MPFI VE
 Eng code: LS3
 OAP (Alt Mitsubishi) OAP026
 OAP 8 Rib Retro Fit (Alt Mitsubishi) OAP097

Senator

Jul 1999 - Oct 2000

5.7L V8 OHV 16V MPFI VT
 Eng code: LS1 GEN III
 OAP (Alt Mitsubishi) OAP019
 OAP 8 Rib Retro Fit (Alt Mitsubishi) OAP080

Sep 2000 - Sep 2002

5.7L V8 OHV 16V MPFI VX
 Eng code: LS1 GEN III
 OAP (Alt Mitsubishi) OAP019
 OAP 8 Rib Retro Fit (Alt Mitsubishi) OAP080

Oct 2002 - Jul 2003

5.7L V8 OHV 16V MPFI VY
 Eng code: LS1 GEN III
 OAP (Alt Mitsubishi) OAP019
 OAP 8 Rib Retro Fit (Alt Mitsubishi) OAP080

Aug 2003 - Sep 2004

5.7L V8 OHV 16V MPFI VYII
 Eng code: LS1 GEN III
 OAP (Alt Mitsubishi) OAP019

OAP 8 Rib Retro Fit (Alt Mitsubishi) OAP080

Oct 2004 - Jul 2006

6.0L V8 OHV 16V MPFI VZ
 Eng code: LS2
 OAP (Alt Mitsubishi) OAP019
 OAP 8 Rib Retro Fit (Alt Mitsubishi) OAP080

Aug 2007 - Mar 2008

6.0L V8 OHV 16V MPFI VE
 Eng code: LS2
 OAP (Alt Mitsubishi) OAP026
 OAP 8 Rib Retro Fit (Alt Mitsubishi) OAP097

Apr 2008 - May 2013

6.2L V8 OHV 16V MPFI VE
 Eng code: LS3
 OAP (Alt Mitsubishi) OAP026
 OAP 8 Rib Retro Fit (Alt Mitsubishi) OAP097

Honda

Jazz

Aug 2008 - Jul 2014

1.5L 4 cyl SOHC 16V MPFI GE
 Eng code: L15A7
 Tensioner Pulley (Steel) OAP075

Hyundai

i30

Oct 2007 - Apr 2012

1.6L 4 cyl DOHC 16V DTFI Turbo Diesel FD
 Eng code: D4FB
 OAP OAP005

Oct 2007 - Apr 2012

2.0L 4 cyl DOHC 16V DTFI Turbo Diesel
 Eng code: D4EA
 OAP (2008-2009) OAP001

May 2012 -

1.6L 4 cyl DOHC 16V DTFI Turbo Diesel GD
 Eng code: D4FB
 OAP OAP005

Jun 2015 -

1.6L 4 cyl DOHC VVT 16V CRD Turbo Diesel GD
 Eng code: D4FB
 OAP OAP005

i40

Oct 2011 - May 2015

1.7L 4 cyl DOHC 16V DTFI VF
 Eng code: D4FD
 OAP OAP229

Jun 2015 -

1.7L 4 cyl DOHC 16V DTFI VF
 Eng code: D4FD
 OAP OAP229

i45

May 2010 -

2.4L 4 cyl DOHC 16V MPFI YF
 Eng code: G4KJ
 OAP OAP020

May 2011 -

2.0L 4 cyl V-DOHC 16V MPFI YF
 Eng code: G4KD
 OAP OAP020

iLoad

Feb 2008 -

2.5L 4 cyl DOHC 16V DTFI Diesel TQ
 Eng code: D4CB
 OAP (Alt Denso) OAP044

iMax	
Feb 2008 -	2.5L 4 cyl DOHC 16V DTFI Diesel TQ Eng code: D4CB OAP (Alt Denso) OAP044

iX35	
Feb 2010 - Sep 2013	2.4L 4 cyl DOHC 16V MPFI LM Eng code: G4KG OAP OAP020
Feb 2010 -	2.0L 4 cyl DOHC 16V DTFI Diesel LM Eng code: D4HA OAP OAP017

Santa Fe	
Nov 2006 - Oct 2009	2.2L 4 cyl SOHC 16V DTFI Turbo Diesel CM Eng code: D4EB OAP OAP001
Nov 2009 - Aug 2012	2.2L 4 cyl DOHC 16V DTFI Turbo Diesel CM Eng code: D4HB OAP OAP001
Nov 2009 -	2.4L 4 cyl DOHC VVT 16V MPFI CM Eng code: G4KE OAP OAP020
Sep 2012 -	2.2L 4 cyl DOHC 16V DTFI Turbo Diesel DM Eng code: D4HB OAP OAP017
Sep 2012 -	2.4L 4 cyl DOHC 16V MPFI DM Eng code: G4KJ OAP OAP020

Sonata	
Jun 2005 - May 2008	2.4L 4 cyl DOHC 16V MPFI NF Eng code: G4KC OAP (Alt Poonsung, 110A) OAP020
Jun 2008 - Apr 2010	2.4L 4 cyl DOHC 16V MPFI NF Eng code: G4KE OAP OAP020
Dec 2014 -	2.4L 4 cyl DOHC VVT 16V MPFI LF Eng code: G4KJ OAP OAP020

Terracan	
Jan 2005 - Jan 2007	2.9L 4 cyl DOHC 16V CRDi Turbo Diesel Eng code: J3 OAP (Alt Mando, 110A) OAP029

Tucson	
Aug 2004 - Jan 2010	2.7L V6 DOHC 24V MPFI Eng code: G6BA OAP OAP001
2006 - 2010	2.0L 4 cyl DOHC VVT 16V Turbo Diesel JN Eng code: D4EA OAP OAP001

Jaguar

S Type	
Apr 2006 - May 2008	2.7L V6 DOHC 24V DTFI Twin Turbo Diesel Eng code: 276DTT OAP (Alt Denso, 150A) OAP013

X E	
Aug 2015 -	2.0L 4 cyl DOHC VVT 16V Direct FI Turbo X760 Eng code: 204PT OAP OAP013

X F	
Jun 2008 - Jul 2009	2.7L V6 DOHC 24V DTFI Twin Turbo Diesel X250 Eng code: AJD27 OAP (Alt Denso, 150A) OAP013
Nov 2011 -	2.2L 4 cyl DOHC 16V DTFI Twin Turbo Diesel X250 Eng code: AJI4D OAP OAP013

X F	
Nov 2011 -	3.0L V6 DOHC VVT 24V DTFI Twin Turbo Diesel X250 Eng code: AJV6D OAP OAP013
Dec 2012 -	2.0L 4 cyl DOHC 16V DTFI Turbo X250 Eng code: 204PT OAP OAP013

X F	
Jan 2016 - Jun 2017	2.0L 4 cyl DOHC 16V Direct Inj. Turbo X260 25t Eng code: 204PT OAP OAP013
Jul 2017 -	2.0L 4 cyl DOHC 16V Direct Inj. Turbo X260 25t Eng code: 204PT OAP OAP013

X J	
Apr 2010 -	3.0L V6 DOHC 24V DTFI Twin Turbo Diesel Eng code: AJD OAP OAP013

Jeep

Cherokee	
Jan 2003 - Feb 2004	2.8L 4 cyl DOHC 16V TCDI Turbo Diesel KJ Eng code: ENR OAP (Alt Denso, 110A) OAP027

Cherokee	
Dec 2004 - Feb 2008	2.8L 4 cyl DOHC 16V TCDI Turbo Diesel KJ Eng code: ENR OAP (Alt Denso, 110A) OAP027

Cherokee	
Mar 2008 - Apr 2013	2.8L 4 cyl DOHC 16V DTFI Turbo Diesel KK Eng code: ENS OAP OAP055

Commander	
May 2006 - Mar 2010	3.0L 6 cyl DOHC 24V DTFI Turbo Diesel XH Eng code: EXL OAP OAP168

Compass

Mar 2007 -

2.4L 4 cyl DOHC 16V MPFI MK
Eng code: ED3
OAP (Alt Mitsubishi 115A, 140A) OAP085

Feb 2012 -

2.0L 4 cyl DOHC 16V MPFI MK
Eng code: ECN
OAP (Alt Mitsubishi 115A, 140A) OAP085

Grand Cherokee

2002 - 2003

2.8L 4 cyl DOHC 16V TCDI Turbo Diesel WG
Eng code: ENR
OAP (Alt Denso, 110A) OAP027

Mar 2003 - May 2005

2.7L 5 cyl SOHC 20V DTFI Turbo Diesel WG
Eng code: ENF
OAP OAP007

Jun 2005 - Jan 2011

3.0L V6 DOHC 24V DTFI Turbo Diesel WH
Eng code: EXL
OAP OAP168

Jul 2011 - Jan 2012

3.0L V6 DOHC 24V CRD Turbo Diesel WK
Eng code: OM642
OAP OAP027

Feb 2012 - Feb 2017

3.0L V6 DOHC 24V CRD Turbo Diesel WK
Eng code: EXF
OAP OAP027

Feb 2017 -

3.0L V6 DOHC 24V CRD Turbo Diesel WK
Eng code: EXF
OAP OAP027

Patriot

Aug 2007 - Sep 2009

2.0L 4 cyl DOHC 16V DTFI Turbo Diesel MK
Eng code: ECD/ECE
OAP (Alt Mitsubishi 140A) OAP085

Aug 2007 - Sep 2009

2.4L 4 cyl V-DOHC 16V MPFI MK
Eng code: 8D
OAP (Alt Mitsubishi 115A, 140A) OAP085

Oct 2009 -

2.4L 4 cyl V-DOHC 16V MPFI MK
Eng code: ED3
OAP (Alt Mitsubishi 115A, 140A) OAP085

Feb 2012 -

2.0L 4 cyl DOHC 16V MPFI MK
Eng code: ACD
OAP (Alt Mitsubishi 115A, 140A) OAP085

Wrangler

Mar 2007 - Jan 2012

2.8L 4 cyl DOHC 16V DTFI Turbo Diesel JK
Eng code: ENS
OAP OAP055

John Deere

5100M

2009 -

4.5L 4 cyl Turbo Diesel
OAP (120A, 150A) OAP116

5620

- 2008

4.5L 4 cyl Turbo Diesel
Eng code: 4045DL270
OAP (120A, With A/C, or With Air trailer brake system & A/C) OAP116

5720

- 2008

4.5L 4 cyl Turbo Diesel
Eng code: 4045TL273
OAP (120A, With A/C, or With Air trailer brake system & A/C) OAP116

5820

- 2008

4.5L 4 cyl Turbo Diesel
Eng code: 4045TL274
OAP (120A, With A/C, or With Air trailer brake system & A/C) OAP116

6090MC

2013 -

4.5L 4 cyl Turbo Diesel 6MC Series
OAP (90A, 120A, 150A, 200A) OAP116

6090RC

2013 -

4.5L 4 cyl Turbo Diesel 6RC Series
OAP (90A, 120A, 150A, 200A) OAP116

6100MC

2013 -

4.5L 4 cyl Turbo Diesel 6MC Series
OAP (90A, 120A, 150A, 200A) OAP116

6100RC

2013 -

4.5L 4 cyl Turbo Diesel 6RC Series
OAP (90A, 120A, 150A, 200A) OAP116

6105M

2013 -

4.5L 4 cyl Turbo Diesel 6M Series
Eng code: PowerTech PVX
OAP (90A, 120A, 150A) OAP116

6110MC

2013 -

4.5L 4 cyl Turbo Diesel 6MC Series
OAP (90A, 120A, 150A, 200A) OAP116

6110RC

2013 -

4.5L 4 cyl Turbo Diesel 6RC Series
OAP (90A, 120A, 150A, 200A) OAP116

6115M

2013 -

4.5L 4 cyl Turbo Diesel 6M Series
Eng code: PowerTech PVX
OAP (90A, 120A, 150A) OAP116

6120

2002 - 2007

4.5L 4 cyl Turbo Diesel
Eng code: 4045TL070
OAP (90A, 115A, 120A, 150A) OAP116

6125M

2013 -

4.5L 4 cyl Turbo Diesel 6M Series
Eng code: PowerTech PVX
OAP (90A, 120A, 150A) OAP116

6130M 2013 -	4.5L 4 cyl Turbo Diesel 6M Series OAP (90A, 120A, 150A, 200A).....OAP116
6130R 2013 -	4.5L 4 cyl Turbo Diesel 6R Series OAP (120A, 150A, 200A).....OAP116
6140M 2013 -	4.5L 4 cyl Turbo Diesel 6M Series Eng code: PowerTech PVX OAP (90A, 120A, 150A).....OAP116
6140R 2013 -	6.8L 6 cyl Turbo Diesel 6R Series OAP (120A, 150A, 200A).....OAP116
6150M 2013 -	6.8L 6 cyl Turbo Diesel 6M Series Eng code: PowerTech PVX OAP (90A, 120A, 150A, 200A).....OAP116
6150R 2013 -	6.8L 6 cyl Turbo Diesel 6R Series OAP (120A, 150A, 200A).....OAP116
6170M 2013 -	6.8L 6 cyl Turbo Diesel 6M Series Eng code: PowerTech PVX OAP (90A, 120A, 150A, 200A).....OAP116
6170R 2013 -	6.8L 6 cyl Diesel 6R Series OAP (120A, 150A, 200A).....OAP116
6190R 2013 -	6.8L 6 cyl Turbo Diesel 6R Series OAP (120A, 150A, 200A).....OAP116
6215 2003 - 2005	4.5L 4 cyl Turbo Diesel OAP (90A, 115A, 120A, 150A).....OAP116
6220 2002 - 2007	4.5L 4 cyl Turbo Diesel Eng code: 4045TL071 OAP (90A, 115A, 120A, 150A).....OAP116
6320 2002 - 2007	4.5L 4 cyl Turbo Diesel Eng code: 4045HL073 OAP (90A, 115A, 120A, 150A).....OAP116
6415 2003 - 2010	4.5L 4 cyl Turbo Diesel Eng code: 4045T OAP (90A).....OAP116

6420 2002 - 2006	4.5L 4 cyl Turbo 6020 Series Eng code: 4045HL070 OAP (90A, 115A, 120A, 150A).....OAP116
6520 2002 -	4.5L 4 cyl Turbo Diesel 6020 Series OAP (90A, 115A, 120A, 150A).....OAP116
2001 - 2006	6.8L 6 cyl 24V Turbo Diesel Eng code: 6068 OAP (90A, 115A, 120A, 150A).....OAP116
6534 2009 - 2011	4.5L 4 cyl 8V Turbo Diesel OAP (90A, 120A, 150A, 200A).....OAP116
6620 2001 - 2006	6.8L 6 cyl Turbo Diesel Eng code: 6068T OAP (90A, 115A, 150A).....OAP116
6820 2001 - 2006	6.8L 6 cyl Turbo Diesel 6020 Series Eng code: 6068T OAP (90A, 115A, 120A, 150A).....OAP116
6920 2001 - 2006	6.8L 6 cyl Turbo Diesel 6020 Series Eng code: 6068T OAP (90A, 115A, 120A, 150A).....OAP116
6920S 2001 - 2006	6.8L 6 cyl Turbo Diesel 6020 Series Eng code: 6068T OAP (90A, 115A, 120A, 150A).....OAP116
7220 2003 - 2007	6.8L 6 cyl Turbo Diesel Eng code: 6068HF475 OAP (115A, 150A).....OAP116
7230R 2011 - 2013	6.8L 6 cyl Turbo Diesel 7R Series OAP (120A, 150A, 200A).....OAP116
7320 2003 - 2007	6.8L 6 cyl Turbo Diesel 7020 Series Eng code: 6068HF475 OAP (115A, 150A).....OAP116
7520 2003 - 2007	6.8L 6 cyl Turbo Diesel Eng code: 6068HF475 OAP (115A, 150A).....OAP116

Kia

Cerato

Jan 2009 - Sep 2013

2.0L 4 cyl DOHC 16V MPFI TD
Eng code: G4KD
OAP (Alt Valeo, 110A) OAP020

Magentis

Aug 2006 - Mar 2010

2.4L 4 cyl V-DOHC 16V MPFI MG
Eng code: G4KC
OAP (Alt Valeo, 110A) OAP020

Rondo

Apr 2008 - May 2013

2.0L 4 cyl V-DOHC 16V MPFI UN
Eng code: G4KA
OAP OAP020

Jun 2013 -

1.7L 4 cyl DOHC 16V DTFI Turbo Diesel RP
Eng code: D4FD
OAP OAP229

Shuma

Jan 2000 - Apr 2001

1.8L 4 cyl DOHC 16V MPFI
Eng code: TE
OAP OAP029

Soul

Apr 2009 -

1.6L 4 cyl DOHC 16V DTFI Turbo Diesel AM
Eng code: D4FB
OAP OAP229

Sorento

Aug 2007 - Sep 2009

2.5L 4 cyl DOHC 16V DTFI Turbo Diesel BL
Eng code: D4CB
OAP OAP044

Oct 2009 - May 2015

2.2L 4 cyl DOHC 16V DTFI Turbo Diesel XM
Eng code: D4HB
OAP (Alt Valeo, 120A) OAP017

Jun 2015 -

2.2L 4 cyl DOHC VVT 16V DTFI Turbo Diesel UM
Eng code: D4HB
OAP (Alt Valeo, 120A) OAP017

Sportage

Aug 2007 - Mar 2010

2.0L 4 cyl SOHC 8V DTFI Turbo Diesel KM
Eng code: D4EA
OAP OAP001

Aug 2010 - May 2013

2.4L 4 cyl V-DOHC 16V MPFI SL
Eng code: G4KE
OAP OAP020

Aug 2010 - Jan 2016

2.0L 4 cyl DOHC 16V DTFI Turbo Diesel SL
Eng code: D4HA
OAP (Alt Denso, 150A) OAP017

Aug 2010 - Jan 2016

2.0L 4 cyl V-DOHC 16V MPFI SL
Eng code: G4KD
OAP OAP020

Land Rover

Defender

Oct 2007 - Jan 2012

2.4L 4 cyl DOHC 16V DTFI Turbo Diesel 110
Eng code: 244DT
OAP (Alt Bosch, 156A) OAP077

Oct 2007 - Jan 2012

2.4L 4 cyl DOHC 16V DTFI Turbo Diesel 130
Eng code: 244DT
OAP (Alt Bosch, 156A) OAP077

Discovery Sport

Apr 2015 -

2.2L 4 cyl DOHC 16V DTFI Turbo Diesel LC
Eng code: 224DT
OAP OAP035

Freelander 2

Jun 2007 - Nov 2010

2.2L 4 cyl DOHC 16V DTFI Turbo Diesel LF
Eng code: 224DT
OAP OAP035

Dec 2010 - Sep 2015

2.2L 4 cyl DOHC 16V DTFI Turbo Diesel LF
Eng code: 224DT
OAP OAP035

Dec 2010 - Sep 2015

2.2L 4 cyl DOHC 16V DTFI Turbo Diesel LF
Eng code: 224DT
OAP OAP035

Lexus

ES350

Nov 2013 -

3.5L V6 DOHC VVT 24V MPFI GSV60R
Eng code: 2GRFE
OAP (Alt Denso, 150A) OAP013

IS220D

2006 - 2008

2.2L 4 cyl DOHC 16V CRD Turbo ALE20R
Eng code: 2ADFHV
OAP (Alt Denso, 130A) Must Remove Spacer/Washer From Alternator Shaft OAP058

IS250

Nov 2005 -

2.5L V6 DOHC 24V MPFI, EFI GSE20R
Eng code: 4GR-FSE
OAP (Alt Denso, 150A) OAP013

IS350

Oct 2010 - Jun 2013

3.5L V6 DOHC 24V MPFI GSE21R
Eng code: 2GR-FSE
OAP (Alt Denso, 150A) OAP013

Jul 2013 -

3.5L V6 DOHC 24V MPFI GSE31R
Eng code: 2GR-FSE
OAP (Alt Denso, 150A) OAP013

RX350

Feb 2006 - Jan 2009

3.5L V6 DOHC 24V MPFI GSU35R
Eng code: 2GR-FE
OAP (Alt Denso, 100A) OAP013

Feb 2009 - Oct 2015

3.5L V6 DOHC VVT 24V MPFI GGL15R
Eng code: 2GR-FE
OAP (Alt Denso, 100A) OAP013

Mazda

3

Aug 2007 - Sep 2009

2.0L 4 cyl SOHC 16V DTFI Turbo Diesel BK
Eng code: RF
OAP OAP024

Nov 2009 - Jan 2014

2.2L 4 cyl SOHC 16V DTFI Turbo Diesel BL
Eng code: R2
OAP (Alt Mitsubishi, 110A) OAP045

Aug 2014 -

2.2L 4 cyl DOHC VVT 16V CRD Turbo Diesel BM XD ASTINA
Eng code: SH
OAP OAP092

6

Aug 2002 - Jan 2008

2.3L 4 cyl DOHC 16V MPFI GG
Eng code: L3
OAP (Alt Melco, 90A) OAP011

Oct 2005 - Jan 2008

2.3L 4 cyl DOHC 16V TMPFI Turbo GG MPS
Eng code: L3
OAP (Alt Melco, 90A) OAP011

Oct 2006 - Jan 2008

2.0L 4 cyl SOHC 16V DTFI Turbo Diesel GG
Eng code: RF
OAP OAP045

Dec 2008 - Feb 2010

2.2L 4 cyl DOHC 16V DTFI Turbo Diesel GH
Eng code: R2
OAP (From 2009) OAP045

Mar 2010 - Nov 2012

2.2L 4 cyl DOHC 16V DTFI Turbo Diesel GH
Eng code: R2
OAP OAP045

Dec 2012 -

2.2L 4 cyl DOHC 16V CRD Twin Turbo Diesel GJ
Eng code: SH-VPTS
OAP OAP092

BT50**Nov 2011 -**

3.2L 5 cyl DOHC 20V TCDI Turbo Diesel UP / UR
Eng code: P5AT
OAP OAP077

Nov 2011 -

2.2L 4 cyl DOHC 16V TCDI Turbo Diesel UP / UR
Eng code: P4AT
OAP OAP077

CX-3**Mar 2015 -**

1.5L 4 cyl DOHC 16V CRD Turbo Diesel DK
Eng code: SKYACTIV-D
OAP OAP092

CX-5**Feb 2012 - Mar 2017**

2.2L 4 cyl DOHC 16V DTFI Turbo Diesel KE
Eng code: SH-VPTS
OAP OAP092

Mar 2017 -

2.2L 4 cyl DOHC 16V DTFI Turbo Diesel KF
Eng code: SH-VPTS
OAP OAP092

CX-7**Oct 2009 - Jan 2012**

2.2L 4 cyl DOHC 16V DTFI Diesel ER
Eng code: MZR CD R2
OAP OAP024

CX-9**Jul 2016 -**

2.5L 4 cyl DOHC VVT 16V TFSI Turbo TC
Eng code: PY
OAP OAP092

MPV**Jun 2002 - Sep 2006**

3.0L V6 DOHC 24V MPFI LWA2
Eng code: AJ
OAP OAP047

Mercedes Benz**A-Class A140****Feb 2000 - Jun 2001**

1.4L 4 cyl SOHC 8V MPFI W168
Eng code: M166.940
OAP OAP038

A-Class A150**Apr 2005 - Jul 2007**

1.5L SOHC MPFI W169
Eng code: M266.920
OAP OAP074

A-Class A160**Oct 1998 - Apr 2005**

1.6L 4 cyl SOHC 8V MPFI W168
Eng code: M166.960
OAP OAP038

A-Class A170**1999 - 2001**

1.7L 4 cyl SOHC 8V Di Diesel W168
Eng code: OM668.940
OAP (Alt Valeo, 150A) OAP065

Apr 2005 -

1.7L 4 cyl SOHC 8V MPFI W169
Eng code: M266.940
OAP OAP074

A-Class A180**May 2005 - Jun 2010**

2.0L 4 cyl DOHC 16V DTFI Turbo Diesel W169
Eng code: OM640.940
OAP OAP065

2009 -

1.7L 4 cyl SOHC 16V MPFI W169
Eng code: M266.940
OAP OAP074

A-Class A190**Sep 1999 - Apr 2005**

1.9L 4 cyl SOHC 8V MPFI W168
Eng code: M166.990
OAP (Alt Valeo, 90A) OAP130

A-Class A200

2005 - 2008

2.0L 4 cyl DOHC CRD Turbo Diesel W169
Eng code: OM640.941
OAP OAP065

Dec 2005 - Jun 2010

2.0L 4 cyl SOHC 16V TMPFI Turbo W169
Eng code: M266.980
OAP OAP074

Atego

Feb 2001 - Apr 2005

6.4L 6 cyl OHV DT Turbo Diesel
OAP (Alt Bosch, 100A) OAP135

B 180

May 2006 -

2.0L 4 cyl DOHC 16V DTFI Turbo Diesel W245
Eng code: OM640.940
OAP OAP065

Mar 2010 - Mar 2013

1.7L 4 cyl SOHC MPFI W245
Eng code: M266.940
OAP (Alt Valeo, 90A, 115A) OAP074

B 200

Nov 2005 - Mar 2012

2.0L 4 cyl SOHC 16V MPFI W245
Eng code: M266.960
OAP (Alt Valeo, 90A, 115A) OAP074

Nov 2005 - Jun 2012

2.0L 4 cyl SOHC 16V TMPFI Turbo W245
Eng code: M266.980
OAP (Alt Valeo, 90A, 115A) OAP074

C 230

Oct 2002 - Aug 2005

1.8L 4 cyl DOHC 16V SCMPFI CL203
Eng code: M271.948
OAP (Alt Bosch, Valeo, 120A, Up To Valeo 2542582C) OAP039
Overrunning Alt Pulley (Alt Valeo, 120A, From Valeo 2542582D) OAP100

C 200 CDI

Jun 2011 -

2.1L 4 cyl DOHC 16V CRD Turbo Diesel W204
Eng code: OM651.913
OAP OAP052

C 180

Oct 2002 - Jun 2007

1.8L 4 cyl DOHC 16V SCMPFI W203
Eng code: M271.946
OAP (Alt Bosch, Valeo, 120A) OAP039

Oct 2002 - Jan 2008

1.8L 4 cyl DOHC 16V SCMPFI CL203
Eng code: M271.946
OAP (Alt Bosch, Valeo, 120A, Up To Valeo 2542582C) OAP039
Overrunning Alt Pulley (Alt Valeo, 120A, From Valeo 2542582D) OAP100

C 200

Oct 2002 - Jan 2008

1.8L 4 cyl DOHC 16V SCMPFI CL203
Eng code: M271.940
OAP (Alt Bosch, 120A) OAP039

Oct 2002 - Dec 2007

1.8L 4 cyl DOHC 16V SCMPFI W203
Eng code: M271.940
OAP (Alt Valeo, 120A, Up To Valeo 2542582C) OAP039
Overrunning Alt Pulley (Alt Valeo, 120A, From Valeo 2542582D) OAP100

Jul 2007 - Feb 2010

1.8L 4 cyl DOHC 16V SCMPFI W204
Eng code: M271.950
Overrunning Alt Pulley (Alt Valeo, 120A, 150A) OAP100

Mar 2010 -

1.8L 4 cyl DOHC VVT 16V MPFI Turbo W204
Eng code: M271.860
OAP (Alt Valeo-Check Dimensions) OAP052
Overrunning Alt Pulley (Alt Valeo- Check Dimensions) OAP100

C 250

Jan 2010 -

1.8L 4 cyl DOHC VVT 16V MPFI Turbo W204
Eng code: M271.860
OAP OAP052

Aug 2014 -

2.1L 4 cyl DOHC 16V CRD Twin Turbo W205 S205
Eng code: OM651.921
OAP OAP052

C 250 CDI

Jul 2011 -

2.1L 4 cyl DOHC 16V CRD Turbo Diesel W204
Eng code: OM651.911
OAP (Alt Valeo, 150A, 180A) OAP052

C 220 CDI

Mar 2001 - Aug 2004

2.1L 4 cyl DOHC 16V CRD Turbo Diesel W203
Eng code: OM611.962
OAP (Alt Delphi, 190A) OAP072

Sep 2004 - Jun 2007

2.1L 4 cyl DOHC 16V CRD Turbo Diesel W203
Eng code: OM646.963
OAP (Alt Bosch, 200A) OAP040

Jul 2007 - Feb 2010

2.1L 4 cyl DOHC 16V DTFI Turbo Diesel W204
Eng code: OM646.811
OAP OAP073

Mar 2010 - May 2011

2.1L 4 cyl DOHC 16V DTFI Turbo Diesel W204
Eng code: OM651.911
OAP (Alt Valeo, 150A, 180A) OAP052

C 250 D

1993 - 1999

2.5L 5 cyl 20V Diesel W202
Eng code: OM605.910
OAP (Alt Bosch, 70A, 90A) OAP050

Nov 2015 -

2.1L 4 cyl DOHC 16V CRD Twin Turbo Diesel W205
Eng code: OM651.921
OAP OAP052

C 250 TD

Nov 1996 - Nov 2000

2.5L 5 cyl 20V Turbo Diesel W202
Eng code: OM605.960
OAP (Alt Bosch, Valeo, 90A) OAP050

C 320 CDI

Nov 2007 - Feb 2010

3.0L V6 DOHC 24V DTFI Diesel W204
Eng code: OM642.960
OAP (Alt Valeo, 180A) OAP168

C350			
Jul 2011 -	3.5L V6 DOHC VVT 24V Di W204 Eng code: M276.957 OAP OAP052		
C350 CDI			
Mar 2010 -	3.0L V6 DOHC 24V DTFI Diesel W204 Eng code: OM642.960 OAP OAP168		
Jun 2011 -	3.0L V6 DOHC 24V CRD Turbo Diesel W204 Eng code: OM642.834 OAP OAP203		
C63 AMG			
Feb 2008 -	6.2L V8 SOHC 32V MPFI W204 Eng code: M156.985 OAP (Alt Valeo, 180A) OAP052		
CL63 AMG			
Apr 2007 - Oct 2010	6.2L V8 DOHC 32V MPFI C216 Eng code: M156.984 OAP (Alt Valeo, 220A) OAP052		
Jun 2011 -	5.5L V8 DOHC VVT 32V Di Twin Turbo C218 Eng code: M157.981 OAP OAP052		
CLK200			
Oct 2004 - Aug 2005	1.8L 4 cyl DOHC 16V SCMPFI C209 Eng code: M271.940 OAP (Alt Bosch, Valeo, 120A, Up To Valeo 2542582C) OAP039 Overrunning Alt Pulley (Alt Valeo, 120A, From Valeo 2542582D) OAP100		
Sep 2005 - Jun 2010	1.8L 4 cyl DOHC 16V SCMPFI C6 Eng code: M271.940 OAP (Alt Bosch, Valeo, 120A, Up To Valeo 2542582C) OAP039 Overrunning Alt Pulley (Alt Valeo, 120A, From Valeo 2542582D) OAP100		
Aug 2007 - Jun 2010	1.8L 4 cyl DOHC VVT 16V MPFI W209 Eng code: M271.955 Overrunning Alt Pulley (Alt Valeo, 150A) OAP100		
CLK230			
Oct 1997 - Oct 2000	2.3L 4 cyl DOHC 16V SCMPFI A208 Eng code: M111.975 OAP OAP073		
Oct 1997 - Oct 2000	2.3L 4 cyl DOHC 16V SCMPFI C208 Eng code: M111.975 OAP OAP073		
CLC200			
Aug 2008 -	1.8L 4 cyl DOHC 16V SCMPFI C203 Eng code: M271.957 OAP (Alt Bosch, Valeo 120A, Up To Valeo 2542582C) OAP039 Overrunning Alt Pulley (Alt Valeo, 120A, From Valeo 2542582D) OAP100		
CLK63 AMG			
Sep 2006 - Jun 2010	6.2L V8 DOHC 32V MPFI C216 Eng code: M156.982 OAP (Alt Valeo, 180A) OAP052		
CLS250 CDI			
Sep 2012 - Jul 2015	2.1L 4 cyl DOHC 16V CRD Turbo Diesel C218 Eng code: OM651.924 OAP OAP052		
Dec 2012 - Jul 2015	2.1L 4 cyl DOHC 16V CRD Turbo Diesel W218 Eng code: OM651.924 OAP OAP052		
Aug 2015 -	2.1L 4 cyl DOHC 16V CRD Turbo Diesel C218 Eng code: OM651.924 OAP OAP052		
Aug 2015 -	2.1L 4 cyl DOHC 16V CRD Turbo Diesel W218 Eng code: OM651.924 OAP OAP052		
CLS320 CDI			
2005 - 2009	3.0L V6 DOHC 24V CRD Diesel C219 Eng code: OM642.920 OAP OAP168		
CLS350 CDI			
Jul 2011 -	3.0L V6 DOHC 24V CRD Turbo Diesel C218 Eng code: OM642.853 OAP (Alt Valeo, 180A) OAP168		
E200			
Jun 2012 - May 2013	2.0L 4 cyl DOHC 16V MPFI W212 Eng code: M271.860 OAP (Alt Valeo - Check Dimensions) OAP052 Overrunning Alt Pulley (Alt Valeo - Check Dimensions) OAP100		
E200K			
Sep 2004 - Aug 2006	1.8L 4 cyl DOHC 16V SCMPFI W211 Eng code: M271.941 OAP (Alt Bosch, 150A) OAP039		
Sep 2006 - Sep 2009	1.8L 4 cyl DOHC 16V SCMPFI W211 Eng code: M271.956 OAP (Alt Valeo, 120A) OAP039		
E220 CDI			
Oct 2009 -	2.1L 4 cyl DOHC 16V Turbo Diesel W212 Eng code: OM651.924 OAP (Alt Valeo, 180A) OAP052		
2011 - 2012	2.1L 4 cyl DOHC 16V CRD Turbo Diesel C207 Eng code: OM651.911 OAP (Alt Valeo, 150A) OAP052		
E250 CDI			
Oct 2009 - Apr 2016	2.1L 4 cyl DOHC 16V CRD Turbo Diesel C207 Eng code: OM651.911 OAP (Alt Valeo, 150A) OAP052		
Oct 2009 -	2.1L 4 cyl DOHC 16V CRD Turbo Diesel W212 Eng code: OM651.924 OAP (Alt Valeo, 180A) OAP052		

E250D

Apr 2016 -

2.1L 4 cyl DOHC 16V CRD Turbo Diesel C207
Eng code: OM651.911
OAP (Alt Valeo, 150A)OAP052

E250 CGI

Oct 2009 - May 2013

1.8L 4 cyl DOHC 16V MPFI Turbo C/A207 W212
Eng code: M271.860
Overrunning Alt Pulley.....OAP100

E270 CDI

Nov 1999 - Jul 2002

2.7L 5 cyl SOHC 20V DTi Turbo Diesel W210
Eng code: OM612.961
OAP (Alt Bosch 150A)OAP072
OAP (Alt Valeo 120A)OAP149

Aug 2002 - Aug 2005

2.7L 5 cyl SOHC 20V TCDI Turbo Diesel W211
Eng code: OM647.961
OAP (Alt Bosch, 200A)OAP040

E280 CDI

Sep 2005 - Sep 2009

3.0L V6 DOHC 24V DTFI Turbo Diesel W211
Eng code: OM642.920
OAP (Alt Bosch, 180A)OAP041
OAP (Alt Valeo, 180A)OAP203

E300D

Sep 1993 - Oct 1994

3.0L 6 cyl DOHC 24V Diesel W124
Eng code: OM606.910
OAPOAP050

Jul 1997 - Dec 1999

3.0L 6 cyl DOHC 24V Turbo Diesel W210
Eng code: OM606.962
OAP (Alt Valeo, 180A)OAP050

E320 CDI

1999 - 2003

3.2L 6 cyl DOHC 24V CRD Diesel W210/S210
Eng code: OM613.961
OAPOAP072

2003 - 2005

3.2L 6 cyl DOHC 24V CRD Diesel W211
Eng code: OM648.961
OAP (Alt Bosch, 200A)OAP040

2005 - 2007

3.0L V6 DOHC 24V CRD Diesel W211
Eng code: OM642.920
OAP (Alt Bosch 180A)OAP041

E350

Apr 2011 -

3.5L V6 DOHC 24V MPFI A207 / C207
Eng code: M276.957
OAPOAP052

E350 CDI

Oct 2009 - Jan 2011

3.0L V6 DOHC 24V DTFI Turbo Diesel W212
Eng code: OM642.850
OAP (Alt Valeo, 180A)OAP168

2011 -

3.0L V6 DOHC 24V DTFI Turbo Diesel W207
Eng code: OM642.836
OAP (Alt Valeo, 180A)OAP168

Jun 2011 -

3.0L V6 DOHC 24V DTFI Turbo Diesel W212
Eng code: OM642.852
OAP (Alt Valeo, 180A)OAP168

E63 AMG

Dec 2009 - Jan 2011

6.2L V8 DOHC 32V MPFI W212
Eng code: M156.985
OAPOAP052

GL320 CDI

Nov 2006 - Jan 2010

3.0L V6 DOHC 24V DTFI Turbo Diesel X164
Eng code: OM642.940
OAP (Alt Bosch, 220A, P/N 0141541302)OAP041
OAP (Alt Bosch, 220A, From Chassis A114842, Up To Chassis A140233)
OAP117
OAP (Alt Valeo, 180A, From Chassis A140234), Up To Chassis A114841,
A390564,OAP193
OAP (Alt Valeo, 180A, From Chassis A390565)OAP203

GL350 CDI

Jan 2010 -

3.0L V6 DOHC 24V DTFI Turbo Diesel X164
Eng code: OM642.940
OAP 7PK (Alt Bosch, 220A, P/N 0141541302)OAP041
OAP 8PK(Alt Bosch, 220A, From Chassis A114842, Up To Chassis
A140233)OAP117
OAP 8PK(Alt Valeo, 180A, From Chassis A140234, Up To Chassis
A114841, A390564)OAP193
OAP (Alt Valeo, 180A, From Chassis A390565)OAP203

GL63 AMG

Apr 2014 -

5.5L V8 DOHC 32V MPFI X166
Eng code: M157.982
OAPOAP052

ML250CDI

Apr 2012 -

2.2L 4 cyl DOHC 16V DTFI Turbo
Eng code: OM651.960
OAP (Alt Valeo)OAP052

MB 140

Nov 1999 - Jan 2005

2.9L 5 cyl DOHC 10V Di Diesel
Eng code: OM662.911
OAPOAP004

ML270 CDI

Feb 2000 - Aug 2005

2.7L 5 cyl DOHC 20V TCDI Turbo Diesel W163
Eng code: OM612.963
OAP (Alt Delphi, 150A, Up To Eng No. 30044707, From Eng No.
30044708, Alt Delphi, 190A)OAP072

MB 100

1997 - 2005

2.9L 5 cyl SOHC 10V Diesel 661
Eng code: OM662.911
OAPOAP004

ML280 CDI

Oct 2006 - Nov 2009

3.0L V6 DOHC VVT 24V CRD Turbo Diesel W164
Eng code: OM642.940
OAP (Alt Bosch 220A, Alternator P/N 01415413)OAP041
OAP (Alt Bosch 220A, From Chassis A114842, Up To Chassis A140233)
OAP117
OAP (Alt Valeo, 180A, From Chassis A114841, A140234, Up To Chassis

A390564).....OAP193
 OAP (Alt Valeo, 180A, From Chassis A390565)OAP203

ML300 CDI**Dec 2009 - Jan 2011**

3.0L V6 DOHC 24V DTFI Turbo Diesel W164
 Eng code: M642.940
 OAP (Alt Bosch 220A, P/N 0141541302)OAP041
 OAP (Alt Bosch 220A, From Chassis A114842, Up To Chassis A140233)
 OAP117
 OAP (Alt Valeo, 180A, From Chassis A114841, A140234, Up To Chassis
 A390564).....OAP193
 OAP (Alt Valeo, 180A, From Chassis A390565)OAP203

ML320 CDI**Sep 2005 - Nov 2009**

3.0L V6 DOHC VVT 24V CRD Turbo Diesel W164
 Eng code: OM642.940
 OAP 7PK (Alt Bosch 220A, P/N 0141541302)OAP041
 OAP 8PK (Alt Bosch 220A, From Chassis A114842, Up To Chassis
 A140233)OAP117
 OAP (Alt Valeo, 180A, From Chassis A390565)OAP168
 OAP 8PK (Alt Valeo 180A, From Chassis A114841, A140234, Up To Chas-
 sis A390564).....OAP193

ML350**Apr 2012 -**

3.5L V6 DOHC 24V MPFI W166
 Eng code: M276.955
 OAPOAP052

ML350 CDI**Dec 2009 - Jan 2011**

3.0L V6 DOHC 24V DTFI Turbo Diesel W164
 Eng code: M642.940
 OAP (Alt Bosch, 220A, From Chassis A140234, Up To Chassis A390564)
 OAP041
 OAP (Alt Bosch, 220A, From Chassis A114842, Up To Chassis A140233)
 OAP117
 OAP (Alt Valeo, 180A, From Chassis A114841, A140234, Up To Chassis
 A390564)OAP193
 OAP (Alt Valeo, 180A, From Chassis A390565)OAP203

R280 CDI**May 2008 -**

3.0L V6 DOHC 24V DTFI Diesel W251
 Eng code: OM642.950
 OAP (Alt Bosch 220A, To Chassis A101972, From Chassis A101973)
 OAP041
 OAP (Alt Valeo, 180A, From Chassis A080335)OAP168
 OAP (Alt Valeo, 180A, From Chassis A033123, Up To Chassis A080334)
 OAP193

ML63 AMG**Oct 2006 - Mar 2012**

6.2L V8 DOHC 32V MPFI W164
 Eng code: M156.980
 OAP (Alt Valeo, 180A)OAP052

R300 CDI**Jan 2010 -**

3.0L V6 DOHC 24V DTFI Diesel W251
 Eng code: OM642.950
 OAP (Alt Bosch, 220A, Up To Chassis A101972, From Chassis A101973)
 OAP041
 OAP (Alt Bosch 220A, From Chassis A025923, Up To Chassis A033122)
 OAP117
 OAP (Alt Valeo, 180A, Up To Chassis A080334, From Chassis A033123)
 OAP193
 OAP (Alt Valeo, 180A, From Chassis A390565)OAP203

R320 CDI**Apr 2006 - Feb 2008**

3.0L V6 DOHC 24V TCDI Turbo Diesel W251
 Eng code: OM642.950
 OAP (Alt Bosch, 220A, Up To Chassis A101972, From Chassis A101973)
 OAP041
 OAP (Alt Bosch, 220A, Up To Chassis A033122, From Chassis A025923)
 OAP117
 OAP (Alt Valeo, 180A, Up To Chassis A080334, From Chassis A033123)
 OAP193
 OAP (Alt Valeo, 180A, From Chassis A390565)OAP203

R350 CDI**Jan 2010 -**

3.0L V6 DOHC 24V TCDI Turbo Diesel W251
 Eng code: OM642.950
 OAP (Alt Bosch, 220A, Up To Chassis A101972, From Chassis A101973)
 OAP041
 OAP (Alt Bosch, 220A, Up To Chassis A033122, From Chassis A025923)
 OAP117
 OAP (Alt Valeo, 180A, Up To Chassis A080334, From Chassis A033123)
 OAP193
 OAP (Alt Valeo, 180A, From Chassis A390565)OAP203

S320 CDI**2000 - 2002**

3.0L V6 DOHC 24V CRD Diesel W220
 Eng code: OM613.960
 OAPOAP072

May 2008 - Sep 2009

3.0L V6 DOHC 24V DTFI Turbo Diesel W221
 Eng code: OM642.930
 OAP (Alt Bosch, 220A, 0141541302)OAP041
 OAP (Alt Bosch, 220A, 0131540902)OAP117

SL350**Sep 2012 -**

3.5L V6 DOHC 24V FSI R231
 Eng code: M276.954
 OAP (Alt Valeo, 180A)OAP052

SL500**Sep 2012 -**

4.7L V8 DOHC 32V TFSI Twin Turbo R231
 Eng code: M278.927
 OAPOAP052

SL63 AMG**Jun 2008 - Jul 2012**

6.2L V8 DOHC 32V MPFI R230
 Eng code: M156.981
 OAP (Alt Valeo, 220A)OAP052

SLK250**Feb 2012 -**

1.8L 4 cyl DOHC 16V TMPFI Turbo R172
 Eng code: M271.861
 OAPOAP052

SLK200**Aug 2004 - Dec 2010**

1.8 4 cyl DOHC VVT 16V MPFI R171
 Eng code: M271.944
 OAP (Alt Bosch, 120A)OAP039
 Overrunning Alt Pulley (Alt Valeo, 120A).....OAP100

Jun 2008 - Jun 2011

1.8L 4 cyl DOHC VVT 16V MPFI
 Eng code: M271.954
 OAP (Alt Bosch, Valeo 120A, Up To Valeo 2542582C).....OAP039
 Overrunning Alt Pulley (Alt Valeo, 120A, From Valeo 2542582D)OAP100

Jul 2011 - Jul 2015

1.8L 4 cyl DOHC VVT 16V Di Turbo R172
Eng code: M271.861
OAP OAP052

Aug 2015 -

2.0L 4 cyl DOHC VVT 16V Di Turbo R172
Eng code: M274.920
OAP OAP052

SLS AMG

Aug 2010 -

6.2L V8 DOHC 32V MPFI W197
Eng code: M159.980
OAP (Alt Valeo, 180A) OAP052

SLK350

Jul 2011 -

3.5L V6 DOHC 24V Direct FI R172
Eng code: M272.956
OAP OAP052

Sprinter

Feb 1998 - May 2000

2.9L 5 cyl SOHC 10V DTFI Diesel 312D
Eng code: OM602.980
OAP OAP050

Feb 1998 - May 2000

2.3L 4 cyl SOHC 8V DFI Diesel 308D
Eng code: OM601.943
OAP (Alt Bosch, 70A, 90A, 115A) OAP050

Feb 1998 - May 2000

2.9L 5 cyl SOHC 10V DTFI Diesel 412D
Eng code: OM602.980
OAP (Alt Bosch, 90A, 115A) OAP050

May 2000 - Oct 2006

2.2L 4 cyl DOHC 16V TCDI Turbo Diesel 308CDI
Eng code: OM611.987
OAP (Back Bore Depth 17.0mm, Alt Bosch, 90A, 115A, 120A, 200A)
OAP121
OAP (Back Bore Depth 8.0mm, Alt Bosch 90A, 115A) OAP149

May 2000 - Oct 2006

2.2L 4 cyl DOHC 16V TCDI Turbo Diesel 313CDI
Eng code: OM611.981
OAP (Back Bore Depth 17.0mm, Alt Bosch, 90A, 115A, 120A, 200A)
OAP121
OAP (Back Bore Depth 8.0mm, Alt Bosch 90A, 115A) OAP149

May 2000 - Oct 2006

2.2L 4 cyl DOHC 16V TCDI Turbo Diesel 413CDI
Eng code: OM611.981
OAP (Back Bore Depth 17.0mm, Alt Bosch, 90A, 115A, 120A, 200A)
OAP121
OAP (Back Bore Depth 8.0mm, Alt Bosch 90A, 115A) OAP149

Apr 2002 - Oct 2006

2.2L 4 cyl DOHC 16V TCDI Turbo Diesel 208CDI
Eng code: OM611.987
OAP (Back Bore Depth 17.0mm, Alt Bosch, 90A, 115A, 120A, 200A)
OAP121
OAP (Back Bore Depth 8.0mm, Alt Bosch 90A, 115A) OAP149

Apr 2002 - Oct 2006

2.7L 5 cyl DOHC 20V DTFI Turbo Diesel 616CDI
Eng code: OM612.981
OAP (Back Bore Depth 11.3mm, Alt Bosch 90A, 115A, 120A, 200A)
OAP121
OAP (Back Bore Depth 8.0mm, Alt Bosch 90A, 115A) OAP149

Jul 2003 - Oct 2006

2.7L 5 cyl DOHC 20V DTFI Turbo Diesel 316CDI
Eng code: OM612.981
OAP (Back Bore Depth 11.3mm, Alt Bosch 90A, 115A, 120A, 200A)
OAP121

OAP (Back Bore Depth 8.0mm, Alt Bosch 90A, 115A) OAP149

Jul 2003 - Oct 2006

2.7L 5 cyl DOHC 20V DTFI Turbo Diesel 416CDI
Eng code: OM612.981
OAP (Back Bore Depth 11.3mm, Alt Bosch 90A, 115A, 120A, 200A)
OAP121
OAP (Back Bore Depth 8.0mm, Alt Bosch Alt 90A, 115A) OAP149

Jul 2005 - Oct 2006

2.2L 4 cyl DOHC 16V DTFI Turbo Diesel 311
Eng code: OM646.985
OAP (Alt Bosch, 90A, 115A, 120A, 200A) OAP121

Oct 2006 - Jan 2010

2.1L 4 cyl DOHC 16V TCDI Turbo Diesel 309CDI
Eng code: OM646.984
OAP (Alt Valeo, 180A, 220A) OAP052
OAP (Alt Bosch, 90A, 120A, 200A) OAP121

Oct 2006 - Jan 2010

2.1L 4 cyl DOHC 16V TCDI Turbo Diesel 311CDI
Eng code: OM646.985
OAP (Alt Bosch, 90A) OAP121

Oct 2006 - Jan 2010

2.1L 4 cyl DOHC 16V TCDI Turbo Diesel 315CDI
Eng code: OM646.986
OAP (Alt Bosch, 120A) OAP121

Oct 2006 - Jan 2010

2.1L 4 cyl DOHC 16V TCDI Turbo Diesel 515CDI
Eng code: OM646.986
OAP (Alt Bosch, 120A) OAP121

Oct 2006 - Jan 2010

3.0L V6 DOHC 24V TCDI Turbo Diesel 318CDI
Eng code: OM642.992
OAP (Alt Valeo, 180A) OAP203

Oct 2006 - Jan 2010

3.0L V6 DOHC 24V TCDI Turbo Diesel 518CDI
Eng code: OM642.992
OAP (Alt Valeo, 180A) OAP203

Feb 2008 - Jan 2010

3.0L V6 DOHC 24V TCDI Turbo Diesel 418CDI
Eng code: OM642.992
OAP (Alt Valeo, 180A) OAP203

2010 -

2.2L 4 cyl DOHC VVT 16V MPFI Turbo Diesel 511CDI
Eng code: OM646.985
OAP (Alt Bosch, 90A) OAP121

Feb 2010 -

2.1L 4 cyl DOHC 16V MPFI Turbo Diesel 313CDI
Eng code: OM651.955
OAP (Alt Valeo, 150A, 180A, 220A) OAP052
OAP (Alt Bosch, 120A) OAP121

Feb 2010 -

2.1L 4 cyl DOHC 16V TCDI Turbo Diesel 313CDI
Eng code: OM651.957
OAP (Alt Bosch, 120A) OAP121

Feb 2010 -

2.1L 4 cyl DOHC 16V MPFI Turbo Diesel 316CDI
Eng code: OM651.955
OAP (Alt Valeo, 150A, 180A) OAP052
OAP (Alt Bosch, 120A) OAP121

Feb 2010 -

3.0L V6 DOHC VVT 24V MPFI Turbo Diesel 319 CDI
Eng code: OM642.896
OAP OAP203

Feb 2010 -

2.1L 4 cyl DOHC 16V TCDI Turbo Diesel 516CDI
Eng code: OM651.955
OAP (Alt Bosch) OAP039
OAP (Alt Valeo) OAP052

Feb 2010 -

3.0L V6 DOHC 24V TCDI Turbo Diesel 419CDI
Eng code: OM642.896
OAPOAP203

Feb 2010 -

3.0L V6 DOHC 24V TCDI Turbo Diesel 519CDI
Eng code: OM642.896
OAPOAP203

Nov 2013 -

2.1L 4 cyl DOHC 16V CDI Turbo 513CDI
Eng code: OM651.955
OAP (Alt Bosch)OAP121

Nov 2013 -

2.1L 4 cyl DOHC 16V CDI Turbo 310CDI
Eng code: OM651.955
OAP (Alt Valeo)OAP052
OAP (Alt Bosch)OAP121

Nov 2013 -

2.1L 4 cyl DOHC 16V CDI Turbo 313CDI W906
Eng code: OM651.956
OAP (Alt Bosch)OAP039
OAP (Alt Valeo)OAP052

Viano**2005 - 2006**

3.0L V6 DOHC 24V TCDI Turbo Diesel W639
Eng code: OM642.990
OAP (Alt Valeo, 180A)OAP168

Jul 2005 - Mar 2006

2.2L 4 cyl DOHC 16V CRD Turbo Diesel W639
Eng code: OM646.982
OAP (Alt Valeo, 180A)OAP052
OAP (Alt Bosch, 90A, 120A, 200A)OAP121

Apr 2006 - Jan 2011

2.2L 4 cyl DOHC 16V CRD Turbo Diesel W639
Eng code: OM646.980
OAP (Alt Valeo, 180A)OAP052
OAP (Alt Bosch, 90A, 120A, 200A)OAP121

Feb 2011 -

3.0L V6 DOHC 24V TCDI Turbo Diesel W639
Eng code: OM646.890
OAP (Alt Valeo, 180A)OAP168

Vito**Feb 1998 - Aug 1999**

2.3L 4 cyl SOHC 8V DFI Diesel 108D
Eng code: OM601.942
OAPOAP073

Aug 1999 - Mar 2004

2.2L 4 cyl DOHC 16V TCDI Turbo Diesel 108CDI
Eng code: OM611.980
OAP (Back Bore Depth 11.3mm, Alt Bosch Alt 90A, 120A) ..OAP121
OAP (Back Bore Depth 8.0mm, Alt Bosch Alt 90A, 115A)OAP149

Feb 2001 - Mar 2004

2.2L 4 cyl DOHC 16V DTFI Turbo Diesel 112CDI
Eng code: OM611.980
OAP (Back Bore Depth 11.3mm, Alt Bosch Alt 90A, 120A) ..OAP121
OAP (Back Bore Depth 8.0mm, Alt Bosch Alt 90A, 120A, 150A)OAP149

Apr 2004 - Nov 2006

2.1L 4 cyl DOHC 16V DTFI Turbo Diesel 109CDI
Eng code: OM646.983
OAP (Alt Valeo, 180A)OAP052
OAP (Alt Bosch, 200A)OAP121

Apr 2004 - Nov 2006

2.1L 4 cyl DOHC 16V DTFI Turbo Diesel 111CDI
Eng code: OM646.982
OAP (Alt Valeo)OAP052
OAP (Alt Bosch)OAP121

Nov 2006 - Jan 2008

2.1L 4 cyl DOHC 16V DTFI Turbo Diesel 109CDI
Eng code: OM646.980
OAP (Alt Valeo, 180A)OAP052
OAP (Alt Bosch, 120A, 200A)OAP121

Nov 2006 - Jan 2008

2.1L 4 cyl DOHC 16V DTFI Turbo Diesel 109CDI
Eng code: OM646.981
OAP (Alt Valeo)OAP052
OAP (Alt Bosch)OAP121

Apr 2004 - Nov 2006

2.1L 4 cyl DOHC 16V DTFI Turbo Diesel 115CD1
Eng code: OM646.982
OAP (Alt Valeo, 180A)OAP052
OAP (Alt Bosch, 120A, 200A)OAP121

Apr 2004 - Nov 2006

2.1L 4 cyl DOHC 16V DTFI Turbo Diesel 115CD1
Eng code: OM646.983
OAP (Alt Valeo, 180A)OAP052
OAP (Alt Bosch, 200A)OAP121

Nov 2006 - Jan 2011

2.1L 4 cyl DOHC 16V DTFI Turbo Diesel 115CD1
Eng code: OM646.980
OAP (Alt Valeo, 180A)OAP052
OAP (Alt Bosch, 120A, 200A)OAP121

Feb 2007 - Jan 2011

3.0L V6 DOHC 24V TCDI Turbo Diesel 120CDI
Eng code: OM642.990
OAP (Alt Bosch 120A, 200A)OAP121
OAP (Alt Valeo, 180A)OAP203

Jan 2008 - Jan 2011

2.1L 4 cyl DOHC 16V CRD Turbo W639, 111CDI
Eng code: OM646.980
OAP (Alt Valeo)OAP052
OAP (Alt Bosch)OAP121

Feb 2011 - Jun 2015

2.2L 4 cyl DOHC 16V DTFI Turbo Diesel 110CDI
Eng code: OM651.940
OAP (Alt Valeo)OAP052
OAP (Alt Bosch)OAP121

Feb 2011 - Jun 2015

2.2L 4 cyl DOHC 16V DTFI Turbo Diesel 113CDI
Eng code: OM651.940
OAP (Alt Valeo)OAP052

Feb 2011 - Jun 2015

2.2L 4 cyl DOHC 16V DTFI Turbo Diesel 116CDI
Eng code: OM651.940
OAP (Alt Valeo)OAP052

Feb 2011 - Jun 2015

3.0L V6 DOHC 24V DTFI Turbo Diesel 122CDI
Eng code: OM642.890
OAP (Alt Valeo)OAP203

Jul 2015 -

1.6L 4 cyl DOHC 16V CRD Turbo Diesel 111CDI
Eng code: OM622.951
OAP (Alt Valeo)OAP052

Jul 2015 -

2.2L 4 cyl DOHC 16V CRD Turbo Diesel 114CDI
Eng code: OM651.940
OAP (Alt Valeo)OAP052

Jul 2015 -

2.2L 4 cyl DOHC 16V CRD Turbo Diesel 116CDI
Eng code: OM651.940
OAP (Alt Valeo)OAP052

Jul 2015 -
 2.2L 4 cyl DOHC 16V CRD Turbo Diesel 116CDI
 Eng code: OM651.950
 OAP (Alt Valeo) OAP052

Jul 2015 -
 2.2L 4 cyl DOHC 16V CRD Turbo Diesel 119CDI
 Eng code: OM651.940
 OAP (Alt Valeo) OAP052

Jul 2015 -
 2.2L 4 cyl DOHC 16V CRD Turbo Diesel 119CDI
 Eng code: OM651.950
 OAP (Alt Valeo) OAP052

Mini

Mini Cooper

Mar 2007 - Mar 2014

1.6L 4 cyl DOHC 16V MPFI R56, R57
 Eng code: N12B6A
 OAP (Alt Valeo, 120A) OAP109

Oct 2010 -
 1.6L 4 cyl DOHC 16V MPFI Turbo R56/R58/R59
 Eng code: N14B16CD
 OAP (Alt Valeo, 120A) OAP109

Oct 2012 -
 1.6L 4 cyl DOHC 16V MPFI R58
 Eng code: N16B16A
 OAP (Alt Valeo 120A) OAP109

Oct 2012 -
 1.6L 4 cyl DOHC 16V MPFI R59
 Eng code: N16B16A
 OAP (Alt Valeo 120A) OAP109

Cooper Clubman

Feb 2013 - Oct 2015

1.6L 4 cyl DOHC VVT 16V MPFI R55
 Eng code: N16B16A
 OAP (Alt Valeo 120A) OAP109

Cooper D

Apr 2007 - Sep 2010

1.6L 4 cyl DOHC 16V DTFI Turbo Diesel R56
 Eng code: DV6TED4
 OAP (Alt Bosch, 145A) OAP035

Cooper Ray

Apr 2011 -

1.6L 4 cyl DOHC 16V MPFI R56
 Eng code: N16B16A
 OAP OAP109

Cooper S

May 2002 - Feb 2009

1.6L 4 cyl SOHC 16V SCMPFI R52, R53
 Eng code: W11B16
 OAP (Alt Valeo 120A) OAP109

Aug 2005 - Feb 2009

1.6L 4 cyl SOHC 16V SCMPFI R52, R53
 Eng code: W11B16
 OAP (Alt Valeo, 120A) OAP109

Mar 2007 - Sep 2010

1.6L 4 cyl DOHC 16V TMPFI Turbo R56
 Eng code: N14B6A
 OAP (Alt Valeo, 120A) OAP109

Oct 2010 - Jan 2013

1.6L 4 cyl DOHC 16V TMPFI Turbo R56
 Eng code: N14B6A
 OAP (Alt Valeo, 120A) OAP109

Oct 2010 -

1.6L 4 cyl DOHC 16V MPFI Turbo R56
 Eng code: N14B16CD
 OAP OAP109

One

2001 - 2006

1.6L 4 cyl SOHC 16V MPFI R50
 Eng code: W10B16
 OAP (Alt Bosch, 150A) OAP035

Mitsubishi

ASX

Jul 2010 -

2.0L 4 cyl DOHC 16V MPFI XA
 Eng code: 4B11
 OAP (Alt Melco, 120A) OAP011

Lancer

Aug 2007 -

2.0L 4 cyl DOHC 16V MPFI CJ
 Eng code: 4B11
 OAP (Alt Melco, 120A, 130A) OAP011

Outlander

Oct 2006 - Oct 2011

2.4L 4 cyl DOHC 16V MPFI ZG
 Eng code: 4B12
 OAP OAP011

Nov 2007 - Oct 2012

2.4L 4 cyl DOHC 16V MPFI ZH
 Eng code: 4B12
 OAP (Alt Melco, 120A, 130A) OAP011

Aug 2010 - Nov 2012

2.0L 4 cyl DOHC VVT 16V MPFI ZH
 Eng code: 4B11
 OAP OAP011

Nissan

Dualis

Dec 2007 -

2.0L 4 cyl DOHC 16V MPFI J10
 Eng code: MR20DE
 OAP (Alt Mitsubishi, 120A) OAP012

Juke

Oct 2013 -

1.6L 4 cyl DOHC 16V Direct FI Turbo F15
 Eng code: MR16DDT
 OAP (Alt Mitsubishi, 110A) OAP012

Navara

Dec 2001 - Jan 2008

3.0L 4 cyl DOHC 16V Turbo Diesel D22
 Eng code: ZD30
 OAP (Alt Hitachi, 90A) OAP014

Dec 2005 - Apr 2015

2.5L 4 cyl DOHC 16V Di Turbo Diesel D40 (SPAIN)
 Eng code: YD25DDTi
 OAP (Up to ⅔) OAP006
 OAP (From ⅔) OAP015

Jul 2008 - Apr 2015

2.5L 4 cyl DOHC 16V Turbo Diesel D40 (THAILAND)
 Eng code: YD25DDTi
 OAP (Alt Mitsubishi) OAP015

Jul 2008 - Oct 2015

2.5L 4 cyl DOHC 16V Turbo Diesel D40 (THAILAND)
 Eng code: YD25DDTi
 OAP (Alt Mitsubishi) OAP015

May 2010 - Apr 2015

2.5L 4 cyl DOHC 16V Turbo Diesel D40 (SPAIN)
Eng code: YD25DDTi
OAP (Alt Mitsubishi)OAP015

Apr 2012 - Apr 2015

2.5L 4 cyl DOHC 16V Turbo Diesel D40 (SPAIN)
Eng code: YD25DDTi
OAP (Alt Mitsubishi)OAP015

May 2015 -

2.3L 4 cyl DOHC 16V CRD I/C Turbo Diesel D23
Eng code: YS23DDT
OAP (Alt Bosch, 120A)OAP056

Nov 2015 -

2.3L 4 cyl DOHC 16V CRD I/C Turbo Diesel D23 / NP300
Eng code: YS23DDT
OAP (Alt Bosch, 120A)OAP056

Pathfinder**Jul 2005 - May 2010**

2.5L 4 cyl DOHC 16V DTFI Turbo Diesel R51
Eng code: YD25DDTi
OAP (Back Bore Depth 11.5mm, Alt Mitsubishi)OAP006
OAP (Back Bore Depth 17.0mm, Alt Mitsubishi)OAP015

Jun 2010 - Sep 2013

2.5L 4 cyl DOHC 16V DTFI Turbo Diesel R51
Eng code: YD25DDTi
OAP (Alt Mitsubishi)OAP015

Patrol**Apr 2000 -**

3.0L 4 cyl DOHC 16V DTFI Turbo Diesel GU / Y61 / TESY61
Eng code: ZD30DDTi
OAP (Alt Hitachi, 70A, 90A)OAP014

Oct 2007 -

3.0L 4 cyl DOHC 16V DTFI Turbo Diesel GU / UELY61 / UENY61
Eng code: ZD30DDTi
OAP (Alt Hitachi, 70A, 90A)OAP014

Mar 2013 -

3.0L 4 cyl DOHC 16V DTFI Turbo Diesel GU / UERY61 / UETY61
Eng code: ZD30DDTi
OAP (Alt Hitachi, 70A, 90A)OAP014

Pulsar**Jun 2013 -**

1.6L 4 cyl DOHC 16V TMPFI C12
Eng code: MR16DDT
OAP (Alt Mitsubishi, 110A)OAP012

Apr 2015 -

1.6L 4 cyl DOHC VVT 16V TMPFI B17
Eng code: MR16DDT
OAP (Alt Mitsubishi, 110A)OAP012

Qashqai**Jul 2009 -**

2.0L 4 cyl DOHC 16V MPFI J10
Eng code: MR20DE
OAP (Alt Mitsubishi, 120A)OAP012

Jul 2014 -

2.0L 4 cyl DOHC 16V MPFI J11
Eng code: R9M
OAP (Alt Mitsubishi, 120A)OAP012

Jul 2014 -

2.0L 4 cyl DOHC 16V MPFI J11
Eng code: MR20DD
OAP (Alt Mitsubishi, 120A)OAP012

Jul 2014 -

1.6L 4 cyl DOHC 16V CRD Turbo Diesel J11
Eng code: R9M
OAPOAP051

Tiida**Feb 2006 - Apr 2013**

1.8L 4 cyl DOHC VVT 16V MPFI C11
Eng code: MR18DE
OAP (Alt Mitsubishi, 120A)OAP012

X-Trail**Oct 2001 - Jan 2006**

2.5L 4 cyl DOHC 16V MPFI T30
Eng code: QR25DE
OAP (Alt Hitachi)OAP002

Sep 2006 - Feb 2007

2.5L 4 cyl DOHC 16V MPFI T30
Eng code: QR25DE
OAP (Alt Hitachi)OAP002

Oct 2007 - Feb 2014

2.5L 4 cyl DOHC VVT 16V MPFI T31
Eng code: QR25DE
OAP (Alt Hitachi, Up to 1/1)OAP002
OAP (Alt Valeo, From 1/1)OAP155

Jul 2008 - Feb 2014

2.0L 4 cyl DOHC 16V CRD Turbo Diesel T31
Eng code: M9RD
OAP (Alt Mitsubishi, 210A)OAP003

Jul 2008 - Feb 2014

2.0L 4 cyl DOHC 16V CRD Turbo Diesel T31
Eng code: M9RC
OAP (Alt Mitsubishi, 210A)OAP003

Jan 2011 - Feb 2014

2.0L 4 cyl DOHC 16V MPFI T31
Eng code: MR20DE
OAP (Alt Mitsubishi, 120A)OAP012

Dec 2013 -

2.0L 4 cyl DOHC 16V MPFI T32
Eng code: MR20DD
OAP (Alt Mitsubishi, 120A)OAP012

Mar 2014 -

2.0L 4 cyl DOHC 16V MPFI T31
Eng code: MR20DE
OAP (Alt Mitsubishi, 120A)OAP012

Mar 2014 -

2.5L 4 cyl DOHC VVT 16V MPFI T32
Eng code: QR25DE
OAP (Alt Hitachi, Up to 1/1)OAP002
OAP (Alt Valeo, From 1/1)OAP155

Peugeot**206****Oct 1999 - Jan 2001**

1.6L 4 cyl SOHC 8V MPFI XR
Eng code: TU5JP
OAP (Alt Valeo, 150A)OAP034

Oct 1999 - Jan 2001

1.6L 4 cyl SOHC 8V MPFI XT
Eng code: TU5JP
OAP (Alt Valeo, 150A)OAP034

Oct 2001 - Jun 2007

1.6L 4 cyl DOHC 16V MPFI
Eng code: TU5JP4
OAP (Alt Valeo, 150A)OAP034

Jan 2004 - Feb 2007

2.0L 4 cyl DOHC 16V MPFI Gti 180
Eng code: EW10J4RS
OAP (Alt Valeo, 150A) OAP034

2 0 7

Feb 2007 -

1.6L 4 cyl DOHC 16V MPFI
Eng code: EP6
OAP (Alt Valeo, 120A) OAP109

Feb 2007 - Mar 2009

1.4L 4 cyl SOHC 8V MPFI XR
Eng code: TU3A
OAP (Alt Valeo, 150A) OAP034

Feb 2007 -

1.4L 4 cyl DOHC 16V MPFI XR
Eng code: ET3J4
OAP (Alt Valeo, 150A) OAP034

Feb 2007 -

1.6L 4 cyl DOHC 16V DTFI Turbo Diesel XT
Eng code: DV6TED4
OAP (Alt Valeo, 150A) OAP034

Aug 2007 -

1.6L 4 cyl DOHC 16V TMPFI Turbo Gti
Eng code: EP6DTS
OAP (Alt Valeo, 120A) OAP109

Jul 2010 -

1.6L 4 cyl DOHC 16V TMPFI Turbo
Eng code: EP6DT
OAP (Alt Valeo, 150A) OAP034

3 0 0 8

Jun 2010 - Jan 2011

1.6L 4 cyl DOHC 16V DTFI Turbo Diesel
Eng code: DV6TED4
OAP (Alt Valeo, 150A) OAP034

Jun 2010 - Jul 2017

1.6L 4 cyl DOHC 16V TMPFI Turbo
Eng code: EP6CDT
OAP (Alt Valeo, 120A) OAP109

3 0 6

Jul 1997 - Mar 2000

2.0L 4 cyl DOHC 16V MPFI N5
Eng code: XU10J4RS
OAP OAP033

Jul 1997 - Dec 2001

2.0L 4 cyl DOHC 16V MPFI N5
Eng code: XU10J4R
OAP OAP033

Mar 2000 - Dec 2001

2.0L 4 cyl SOHC 8V DTFI Turbo Diesel
Eng code: DW10
OAP (Alt Mitsubishi 150A) OAP033
OAP (Alt Bosch, 150A) OAP035

Apr 2000 - Oct 2000

2.0L 4 cyl DOHC 16V MPFI N5
Eng code: XU10J4RS
OAP OAP033

Mar 2002 - Dec 2003

2.0L 4 cyl DOHC 16V MPFI NB
Eng code: XU10J4R
OAP OAP033

3 0 7

Dec 2001 - Nov 2003

1.6L 4 cyl DOHC 16V MPFI
Eng code: TU5JP4
OAP (Alt Valeo, 150A) OAP034

Dec 2003 - Jan 2008

1.6L 4 cyl DOHC 16V MPFI
Eng code: TU5JP4
OAP (Alt Valeo, 150A) OAP034

Dec 2001 - Sep 2005

2.0L 4 cyl DOHC 16V MPFI
Eng code: EW10J4
OAP (Alt Valeo, 150A) OAP034

Dec 2001 - Sep 2005

2.0L 4 cyl SOHC 8V DTFI Turbo Diesel Hdi
Eng code: DW10
OAP (Alt Bosch, 150A) OAP035
OAP (Alt Valeo, 150A) OAP038

May 2005 - Jan 2008

2.0L 4 cyl DOHC 16V DTFI Turbo Diesel Hdi
Eng code: DW10BTED4
OAP OAP035

Feb 2004 - Dec 2008

2.0L 4 cyl DOHC 16V MPFI
Eng code: EW10J4S
OAP (Alt Valeo, 150A) OAP034

Oct 2005 - Feb 2007

1.6L 4 cyl SOHC 16V DTFI Turbo Diesel Hdi
Eng code: DV6TED4
OAP (Alt Valeo 150A) OAP034

Oct 2005 - Jun 2008

2.0L 4 cyl DOHC VVT 16V MPFI
Eng code: EW10A
OAP (Alt Valeo, 150A) OAP034

Oct 2005 - Jun 2009

2.0L 4 cyl DOHC VVT 16V MPFI CC
Eng code: EW10A
OAP (Alt Valeo, 150A) OAP034

Mar 2007 - Jan 2008

1.6L 4 cyl SOHC 16V DTFI Turbo Diesel Hdi
Eng code: DV6TED4
OAP (Alt Valeo 150A) OAP034

3 0 8

Feb 2008 - Jul 2011

1.6L 4 cyl DOHC 16V DTFI Turbo Diesel
Eng code: DV6TED4
OAP (Alt Valeo, 150A) OAP109

Feb 2008 - Sep 2014

2.0L 4 cyl DOHC 16V DTFI Turbo Diesel
Eng code: DW10BTED4
OAP (Alt Valeo, 150A) OAP109

Oct 2010 - Jul 2013

1.6L 4 cyl SOHC 8V CRD Turbo Diesel
Eng code: DV6C
OAP OAP038

Feb 2011 -

2.0L 4 cyl DOHC VVT 16V CRD Turbo Diesel
Eng code: DW10CTED4
OAP OAP038

Feb 2011 - Sep 2014

2.0L 4 cyl DOHC 16V DTFI Turbo Diesel Hdi
Eng code: DW10CTED4
OAP OAP034

4008	
May 2012 -	2.0L 4 cyl DOHC VVT 16V MPFI Eng code: 4B11 OAPOAP011
406	
Aug 1999 - Oct 2004	2.0L 4 cyl SOHC 8V DTFI Diesel D9 Eng code: DW10ATED OAP (Alt Mitsubishi 150A)OAP033 OAP (Alt Bosch, 150A, 0124525035)OAP035
407	
Sep 2004 - Aug 2009	2.2L 4 cyl DOHC 16V MPFI Eng code: EW12J4 OAP (Alt Valeo, 150A)OAP034
Sep 2004 - Aug 2009	3.0L V6 DOHC 24V MPFI Eng code: ES9A OAP (Alt Valeo, 150A)OAP034
Feb 2005 - Jun 2011	2.0L 4 cyl DOHC 16V Turbo Diesel Eng code: DW10BTED OAP (Alt Valeo, 150A)OAP034
Mar 2006 - Jan 2010	2.7L V6 DOHC 24V Twin Turbo Diesel Eng code: DT17BTED4 OAP (Alt Valeo, 150A)OAP034
2009 -	2.0L 4 cyl DOHC 16V DTFI Turbo Diesel Eng code: DW10CTED4 OAP (Alt Valeo, 150A)OAP034
Expert	
Aug 2008 -	2.0L 4 cyl DOHC 16V DTFI Turbo Diesel G9P Eng code: DW10BTED4 OAP (Alt Valeo, 150A, 180A)OAP034 OAP (Alt Mitsubishi, 180A)OAP063
Aug 2008 -	2.0L 4 cyl DOHC 16V DTFI Turbo Diesel G9P Eng code: DW10UTED4 OAP (Alt Valeo, 150A)OAP034 OAP (Alt Mitsubishi, 180A)OAP063
Partner	
Aug 2008 - Aug 2009	1.6L 4 cyl DOHC 16V DTFI Turbo Diesel G9P Eng code: DV6BTED4 OAP (Alt Valeo, 150A)OAP034
Aug 2008 - Aug 2009	1.6L 4 cyl DOHC 16V DTFI Turbo Diesel G9P Eng code: DV6BUTED4 OAP (Alt Valeo, 150A)OAP034
Aug 2008 -	1.6L 4 cyl DOHC 16V DTFI Turbo Diesel G9P Eng code: DV6ATED4 OAP (Alt Valeo 150A)OAP034 OAP (Alt Mitsubishi, 180A)OAP063
RCZ	
Oct 2010 - Sep 2015	2.0L 4 cyl DOHC VVT 16V CRD Turbo Diesel Eng code: DW10CTED4 OAPOAP034

Porsche

911

Jan 1998 - Aug 2001

3.4L 6 cyl DOHC 24V MPFI 996, Carrera
Eng code: PSAXFZ
OAP (Alt Bosch, 120A, 150A)OAP083

Sep 1999 - Sep 2006

3.6L 6 cyl DOHC 24V MPFI 996, GT3
Eng code: M96-76
OAP (Alt Bosch, 120A, 150A)OAP083

Dec 2000 - Jun 2006

3.6L 6 cyl DOHC 24V TTMPI Twin Turbo 996
Eng code: M96-70
OAP (Alt Bosch, 120A, 150A)OAP083

Oct 2004 - Jan 2012

3.8L 6 cyl DOHC 24V MPFI 997
Eng code: M97.01
OAP (Pulley Dia 52.6mm To Suit Bosch Alt 150A)OAP083
OAP (Pulley Dia 57.6mm To Suit Bosch Alt 150A)OAP111

Oct 2006 - Sep 2008

3.6L 6 cyl DOHC 24V MPFI 997, GT3
Eng code: M96-05
OAP (Outside Dia 52.6mm to suit Alt Bosch 150A)OAP083
OAP (Outside Dia 57.6mm to suit Alt Bosch 150A)OAP111

Boxster

Oct 1999 - Aug 2002

2.7L 6 cyl DOHC VVT 24V MPFI 986
Eng code: M96-21
OAP (Alt Bosch, 120A, 150A)OAP083

Oct 1999 - Aug 2002

2.7L 6 cyl DOHC VVT 24V MPFI 986
Eng code: M96-22
OAP (Alt Bosch, 120A, 150A)OAP083

Aug 2002 - Dec 2004

2.7L 6 cyl DOHC VVT 24V MPFI 986
Eng code: M96-23
OAP (Alt Bosch, 120A, 150A)OAP083

Aug 2002 - Jan 2005

3.2L 6 cyl DOHC VVT 24V MPFI 986
Eng code: M96-24
OAP (Alt Bosch, 120A, 150A)OAP083

Feb 2005 - Oct 2006

2.7L 6 cyl DOHC VVT 24V MPFI 987
Eng code: M96-25
OAP (Alt Bosch, 120A, 150A)OAP083

Feb 2005 - Oct 2006

3.2L 6 cyl DOHC VVT 24V MPFI 987
Eng code: M96-26
OAP (Pulley Dia 52.6mm To Suit Bosch Alt 150A)OAP083
OAP (Pulley Dia 57.6mm To Suit Bosch Alt 150A)OAP111

Cayenne

Jun 2003 - Mar 2007

4.5L V8 DOHC 32V MPFI
Eng code: M48.00
OAP (Alt Bosch, 150A, 190A)OAP056

Jun 2003 - Mar 2007

4.5L V8 DOHC 32V TTMPI Turbo
Eng code: M48.50
OAP (Alt Bosch, 150A, 190A)OAP056

Cayman

Feb 2006 - Feb 2009

3.4L 6 cyl DOHC VVT 24V MPFI 987
Eng code: M97-21
OAP (Pulley Dia 52.6mm To Suit Bosch Alt 150A)OAP083

OAP (Pulley Dia 57.6mm To Suit Bosch Alt 150A)OAP111

Oct 2006 - Feb 2009

2.7L 6 cyl DOHC VVT 24V MPFI 987
Eng code: M97-20
OAP (Pulley Dia 52.6mm To Suit Bosch Alt 150A)OAP083
OAP (Pulley Dia 57.6mm To Suit Bosch Alt 150A)OAP111

Mar 2009 - Apr 2012

2.9L 6 cyl DOHC VVT 24V MPFI 987
Eng code: MA120
OAP (Pulley Dia 52.6mm To Suit Bosch Alt 150A)OAP083
OAP (Pulley Dia 57.6mm To Suit Bosch Alt 150A)OAP111

Feb 2011 - Apr 2012

2.9L 6 cyl DOHC VVT 24V MPFI 987
Eng code: MA121
OAP (Pulley Dia 52.6mm To Suit Bosch Alt 150A)OAP083
OAP (Pulley Dia 57.6mm To Suit Bosch Alt 150A)OAP111

Apr 2013 -

3.4L 6 cyl DOHC VVT 24V MPFI 981
Eng code: MA121
OAP (Pulley Dia 52.6mm To Suit Bosch Alt 150A)OAP083
OAP (Pulley Dia 57.6mm To Suit Bosch Alt 150A)OAP111

Range Rover

Evoque

Oct 2011 - Aug 2015

2.2L 4 cyl DOHC 16V DTFI Turbo Diesel LV
Eng code: DT244
OAPOAP017

Oct 2011 - Aug 2015

2.2L 4 cyl DOHC 16V DTFI Turbo Diesel LV
Eng code: DT244
OAPOAP017

Renault

Clio

Oct 1999 - Jun 2006

1.4L 4 cyl DOHC 16V MPFI X65 MK II
Eng code: K4J.713/5
OAP (Alt Bosch, 98A)OAP132

Jul 2006 - Aug 2008

1.4L 4 cyl DOHC 16V MPFI X85 MK III
Eng code: K4J.710/11/2/3
OAP (Alt Bosch, 98A)OAP132

Espace

2006 - 2008

2.0L 4 cyl DOHC 16V DTFI Diesel
Eng code: M9R.740/50
OAPOAP003

Kangoo

Dec 2010 -

1.6L 4 cyl DOHC 16V MPFI X61
Eng code: K4M.830
OAPOAP132

Koleos

Sep 2008 - Apr 2010

2.0L 4 cyl DOHC 16V DTFI Turbo Diesel H45
Eng code: M9R.830
OAPOAP003

Sep 2008 - Aug 2013

2.0L 4 cyl DOHC 16V DTFI Turbo Diesel H45
Eng code: M9R.832
OAPOAP003

Sep 2008 -

2.5L 4 cyl DOHC 16V MPFI H45
Eng code: 2TR
OAPOAP155

Sep 2009 - Aug 2013

2.0L 4 cyl DOHC 16V DTFI Turbo Diesel H45
Eng code: M9RD
OAPOAP003

Sep 2013 - Aug 2016

2.0L 4 cyl DOHC 16V DTFI Turbo Diesel H45
Eng code: M9R.830
OAPOAP003

Laguna

Jun 2008 - Jan 2011

2.0L 4 cyl DOHC 16V DTFI Turbo Diesel X91
Eng code: M9R.809/5
OAPOAP003

Jun 2008 - Jan 2011

2.0L 4 cyl DOHC 16V DTFI Turbo Diesel X91
Eng code: M9R.816/20
OAPOAP003

Latitude

Apr 2011 - Jan 2014

2.0L 4 cyl DOHC 16V CRD Diesel X43
Eng code: M9R.817
OAPOAP003

Master

Oct 2010 - Aug 2013

2.3L DOHC 16V CRD Turbo Diesel X62
Eng code: M9TD
OAPOAP003

Sep 2013 -

2.3L DOHC 16V CRD Turbo Diesel X62
Eng code: M9TD
OAPOAP003

Feb 2014 -

2.3L DOHC 16V CRD Turbo Diesel X62
Eng code: M9TC
OAPOAP003

Megane

Mar 2001 - May 2002

1.6L 4 cyl DOHC 16V MPFI
Eng code: K4MA
OAP (Alt Bosch, 87A, 98A, Alt Valeo 120A)OAP132

Jun 2002 - Jun 2006

1.6L 4 cyl DOHC 16V MPFI
Eng code: K4MA
OAP (Alt Bosch, 87A, 98A, Alt Valeo 120A)OAP132

Dec 2003 - Mar 2005

1.6L 4 cyl DOHC 16V MPFI X84
Eng code: K4MA
OAP (Alt Bosch, 87A, 98A, Alt Valeo 120A)OAP132

Apr 2005 - Jul 2008

1.6L 4 cyl DOHC 16V MPFI X84
Eng code: K4MA
OAP (Alt Bosch, 87A, 98A, Alt Valeo 120A)OAP132

Jul 2007 - Jul 2010

1.9L 4 cyl DOHC 8V DTFI Turbo Diesel X84
Eng code: F9Q.803/18
OAP (Alt Valeo, 120A)OAP144

Aug 2008 - Jul 2010

2.0L 4 cyl DOHC 16V DTFI Turbo X84
Eng code: M9R.724
OAP (Alt Valeo, 150A)OAP059

Sep 2010 - May 2013

2.0L 4 cyl DOHC 16V MPFI X32
Eng code: M4RK
OAPOAP042

Sep 2010 - May 2013

2.0L 4 cyl DOHC 16V MPFI X32
Eng code: M4R.71½
OAPOAP042

Aug 2012 -

2.0L 4 cyl DOHC 16V MPFI Turbo X95
Eng code: F4RM
OAPOAP059

Jul 2013 - Jun 2014

2.0L 4 cyl DOHC 16V MPFI K95
Eng code: M4R.71½
OAPOAP042

Jul 2013 - Jun 2014

2.0L 4 cyl DOHC 16V MPFI B95
Eng code: M4R.71½
OAPOAP042

Traffic**Apr 2004 - Apr 2007**

1.9L 4 cyl SOHC 8V DTFI Turbo L2H
Eng code: F9Q
OAP (5PK, Valeo Alt 120A)OAP046
OAP (6PK, Valeo Alt 120A)OAP042

Saab**9-3****Nov 2002 - Jun 2010**

2.0L 4 cyl DOHC 16V TMPFI Turbo
Eng code: B207
OAP (Alt Bosch, 120A)OAP030

9-5**Mar 2008 - Sep 2009**

1.9L 4 cyl 16V DTFI Turbo Diesel
Eng code: Z19DTH
OAP (Alt Denso, 140A)OAP057
OAP (Alt Bosch, 120A, 140A)OAP071
OAP (Alt Denso, 130A)OAP075

Skoda**Fabia****2010 - Jun 2015**

1.4L 4 cyl DOHC 16V Di Turbo 5J
Eng code: CAV
OAP (Alt Bosch, 140A, Valeo, 110A, 140A)OAP028

Oct 2011 - Jun 2015

1.2L 4 cyl SOHC 8V Direct FI Turbo 5J
Eng code: CBZB
OAP (Alt Bosch, Valeo, 140A)OAP028

Octavia**2005 - Nov 2013**

2.0L 4 cyl DOHC 16V DTFI Turbo Diesel 1Z
Eng code: BKD
OAP (Alt Bosch, Valeo, 140A)OAP022

Oct 2007 - Feb 2009

1.8L 4 cyl DOHC 16V TMPFI Turbo 1Z
Eng code: BZB
OAPOAP076

Oct 2007 - Jul 2011

1.9L 4 cyl SOHC 8V DTFI Turbo Diesel 1Z
Eng code: BXE
OAP (Alt Bosch, Valeo, 140A)OAP022

Oct 2007 - Feb 2009

2.0L 4 cyl DOHC 16V DTFI Turbo Diesel 1Z
Eng code: BMN
OAPOAP022

Oct 2007 - Feb 2009

2.0L 4 cyl DOHC 16V MPFI 1Z
Eng code: BVY
OAPOAP022

Oct 2008 - Feb 2014

2.0L 4 cyl DOHC 16V DTFI Turbo Diesel 1Z
Eng code: CEGA
OAPOAP022

Mar 2009 - Aug 2010

1.6L 4 cyl SOHC 8V MPFI 1Z
Eng code: BSE
OAPOAP022

Mar 2009 -

2.0L 4 cyl DOHC 16V TMPFI Turbo 1Z
Eng code: CCZA
OAP (Alt Bosch, Valeo, 140A)OAP076

Mar 2009 - Nov 2013

1.8L 4 cyl DOHC 16V TMPFI Turbo 1Z
Eng code: CDAA
OAP (Alt Bosch, Valeo, 140A)OAP076

May 2010 - Nov 2013

1.6L 4 cyl DOHC 16V TDi Turbo Diesel 1Z
Eng code: CAYC
OAP (Alt Bosch 110A, 140A, Valeo 140A)OAP022

May 2010 - Jan 2013

2.0L 4 cyl DOHC 16V CRD Turbo Diesel 1Z
Eng code: CFHC
OAP (Alt Bosch 110A, 140A, Valeo 140A)OAP022

Oct 2010 -

1.4L 4 cyl DOHC 16V MPFI Turbo 1Z
Eng code: CAXA
OAP (Alt Valeo 110A, 140A)OAP028

Dec 2013 -

1.8L 4 cyl DOHC 16V TMPFI Turbo NE
Eng code: CJSJ
OAP (Alt Bosch, Valeo, 140A)OAP076

Rapid Spaceback**Aug 2013 -**

1.4L 4 cyl DOHC 16V TFSI Turbo NH
Eng code: CAXA
OAP (Alt Valeo 110A, 140A)OAP028

May 2014 -

1.2L 4 cyl DOHC 16V TFSI Turbo NH
Eng code: CBZB
OAP (Alt Valeo 110A, 140A)OAP028

Roomster**Oct 2007 - Oct 2010**

1.9L 4 cyl SOHC 8V DTFI Turbo Diesel 5J
Eng code: BSW
OAP (Alt Bosch, 70A, 110A, 120A, Valeo 70A, 90A)OAP022

Superb**May 2008 - Jul 2011**

2.0L 4 cyl DOHC 16V DTFI Turbo Diesel 3T
Eng code: CBBB
OAP (Alt Bosch, Valeo, 180A)OAP022
OAP (Alt Bosch, Valeo, 140A)OAP023

May 2009 -

1.8L 4 cyl DOHC 16V TMPFI Turbo 3T
Eng code: CDAA
OAP (Alt Bosch, Valeo, 140A)OAP076

May 2009 -

3.6L V6 DOHC 24V MPFI 3T
Eng code: CDV
OAP (Alt Bosch, Valeo 140A) OAP023

2010 -

2.0L 4 cyl DOHC 16V TDI Turbo Diesel 3T
Eng code: CFFB
OAP OAP022

May 2010 -

2.0L 4 cyl DOHC 16V CRD Turbo Diesel 3T
Eng code: CFGB
OAP (Alt Bosch, Valeo, 180A) OAP022
OAP (Alt Bosch, Valeo, 140A) OAP023

Yeti

Oct 2011 -

1.2L 4 cyl DOHC 16V MPFI 5L
Eng code: CBZB
OAP (Alt Valeo, 110A, Bosch 140A) OAP028

2010 -

2.0L 4 cyl DOHC 16V CRD Turbo Diesel 5L
Eng code: CFHC
OAP (Alt Bosch 110A, Hitachi 140A, Valeo 110A, 140A, 180A) OAP022

Mar 2012 - Feb 2014

1.8L 4 cyl DOHC 16V TSI Turbo 5L
Eng code: CDAA
OAP (Alt Bosch 140A, Valeo 140A) OAP076

May 2014 -

1.4L 4 cyl DOHC 16V TFSI Turbo 5L
Eng code: CAXA
OAP (Alt Valeo 110A, 140A) OAP028

Ssangyong

Actyon

Mar 2007 - Feb 2012

2.0L 4 cyl DOHC 16V CRD Turbo Diesel Q100
Eng code: OM664.951
OAP OAP073

Korando

May 2004 - Jun 2007

2.9L 5 cyl SOHC 10V DTFI Turbo Diesel
Eng code: OM662.920
OAP OAP004

Kyron

Jun 2006 - Jul 2007

3.2L V6 DOHC 24V MPFI D100
Eng code: M162.950
OAP (Alt Delphi) OAP073

Jun 2006 - Mar 2009

2.7L 5 cyl DOHC 20V CRD Turbo Diesel Xdi D100
Eng code: M665.950
OAP (Alt Delphi) OAP073

Jun 2006 - Jun 2012

2.0L 4 cyl DOHC 16V CRD Turbo Diesel D100
Eng code: OM664.950
OAP (Alt Delphi) OAP073

Musso

May 2004 - Sep 2007

2.9L 5 cyl SOHC 10V DTFI Turbo Diesel
Eng code: OM662.920
OAP OAP004

Rexton

Jan 2004 - Jan 2013

2.7L 5 cyl DOHC 20V DTFI Turbo Diesel RX270 Y200
Eng code: OM665.925
OAP (Alt Delphi) OAP073

Sep 2006 - Jan 2013

2.7L 5 cyl DOHC 20V CRD Turbo Diesel RX270 Y200
Eng code: OM665.935
OAP (Alt Delphi) OAP073

Stavic

Mar 2005 - Apr 2013

2.7L 5 cyl DOHC 20V CRD Turbo Diesel Xdi A100
Eng code: OM665.926
OAP (Alt Delphi, 150A) OAP073

Nov 2005 - Apr 2008

2.7L 5 cyl DOHC 20V CRD Turbo Diesel SV270 A100
Eng code: OM665.926
OAP (Alt Delphi, 150A) OAP073

Subaru

Forester

Jun 2010 - Jan 2013

2.0L 4 cyl DOHC 16V DTFI Diesel SH
Eng code: EE20
OAP OAP086

Jan 2013 -

2.0L 4 cyl DOHC 16V DTFI Diesel SJ
Eng code: EE20
OAP (Up To 2014) OAP086

Jan 2013 -

2.5L 4 cyl DOHC 16V MPFI SJ
Eng code: FB25
Overrunning Alt Pulley OAP235

Outback

Oct 2009 - Jan 2015

2.0L 4 cyl DOHC 16V DTFI Diesel BR
Eng code: EE20
OAP (Up To 2014) OAP086

Dec 2012 - Jan 2015

2.5L 4 cyl SOHC 16V MPFI BR
Eng code: FB25
OAP OAP011

Dec 2014 -

2.5L 4 cyl SOHC 16V MPFI BS
Eng code: FB25
OAP OAP011

Suzuki

Grand Vitara

Apr 1998 - Aug 2005

2.0L 4 cyl DOHC 16V MPFI
Eng code: J20A
OAP (Alt Valeo, 150A) OAP038

Sep 2005 - Jul 2008

2.0L 4 cyl DOHC 16V MPFI JT
Eng code: J20A
OAP (Alt Valeo, 150A) OAP038

Toyota

Aurion

Oct 2006 - Mar 2012

3.5L V6 DOHC 24V MPFI GSV40R
Eng code: 2GR-FE
OAP (Alt Denso, 100A) OAP013

Apr 2012 -

3.5L V6 DOHC 24V MPFI GSV50R
Eng code: 2GR-FE
OAPOAP013

Camry

Jul 2006 - Jan 2012

2.4L 4 cyl DOHC 16V MPFI ACV40R
Eng code: 2AZ-FE
OAP (Alt Denso, 80A)OAP010

Dec 2011 -

2.5L 4 cyl V-DOHC 16V MPFI ASV50R
Eng code: 2AR-FE
OAPOAP009

Corolla

May 2007 -

1.8L 4 cyl DOHC 16V MPFI ZRE152R
Eng code: 2ZR-FE
OAP (Alt Denso, 100A)OAP009

Estima

Jan 2000 - Jan 2006

2.4L 4 cyl DOHC VVT 16V MPFI ACR40
Eng code: 2AZFE
OAP (Alt Denso, 150A)OAP010

Jan 2006 -

3.5L V6 DOHC VVT 24V MPFI GSR50 / 55
Eng code: 2GRFE
OAP (Alt Denso, 150A)OAP013

FJ Cruiser

Mar 2011 -

4.0L V6 DOHC 24V MPFI GSJ15R
Eng code: 1GR-FE
OAP (Alt Denso, 100A)OAP013

Fortuner

Nov 2015 -

2.8L 4 cyl DOHC 16V CRD Turbo Diesel GUN156R
Eng code: 1GDFTV
OAPOAP077

Hiace

Mar 2005 - Oct 2006

2.5L 4 cyl DOHC 16V DTFI Turbo Diesel KDH200R
Eng code: 2KD-FTV
OAP (Alt Denso, 70A, 80A, 100A) Must Remove Spacer/Washer From Alternator Shaft.....OAP058

Mar 2005 - Oct 2006

2.5L 4 cyl DOHC 16V DTFI Turbo Diesel KDH220R
Eng code: 2KD-FTV
OAP (Alt Denso, 70A, 80A, 100A) Must Remove Spacer/Washer From Alternator Shaft.....OAP058

Mar 2005 - Oct 2006

2.5L 4 cyl DOHC 16V DTFI Turbo Diesel KDH222R
Eng code: 2KD-FTV
OAP (Alt Denso, 70A, 80A, 100A) Must Remove Spacer/Washer From Alternator Shaft.....OAP058

Nov 2006 -

3.0L 4 cyl DOHC 16V CRD Turbo KDH201R
Eng code: 1KD-FTV
OAP (Alt Denso, 130A) Must Remove Spacer/Washer From Alternator Shaft.....OAP058

Nov 2006 -

3.0L 4 cyl DOHC 16V CRD Turbo KDH221R
Eng code: 1KD-FTV
OAP (Alt Denso, 130A) Must Remove Spacer/Washer From Alternator Shaft.....OAP058

Nov 2006 -

3.0L 4 cyl DOHC 16V CRD Turbo KDH223R
Eng code: 1KD-FTV
OAP (Alt Denso, 130A) Must Remove Spacer/Washer From Alternator Shaft.....OAP058

Hilux

Oct 2001 - Jul 2004

2.5L 4 cyl DOHC 16V CRD Turbo Diesel KDN165R
Eng code: 2KD-FTV
OAP (Alt Denso, 70A, 80A, 100A) Must Remove Spacer/Washer From Alternator Shaft.....OAP058

Apr 2005 -

2.7L 4 cyl DOHC 16V MPFI TGN16R
Eng code: 2TR-FE
OAP (Must Remove Spacer/Washer From Alternator Shaft) OAP008

Apr 2005 -

3.0L 4 cyl DOHC 16V TDi Turbo Diesel KUN16R
Eng code: 1KD-FTV
OAP (Alt Denso, 80A, 27060-0L020)OAP077
OAP (Alt Denso, 80A, 27060-0L021) Must Remove Spacer/Washer From Alternator Shaft.....OAP008

Apr 2005 -

3.0L 4 cyl DOHC 16V TDi Turbo Diesel KUN26R
Eng code: 1KD-FTV
OAP (Alt Denso, 80A, 27060-0L021) Must Remove Spacer/Washer From Alternator Shaft.....OAP008
OAP (Alt Denso, 80A, 27060-0L020)OAP077

Aug 2005 - Jul 2011

2.5L 4 cyl DOHC 16V CRD Turbo Diesel KUN15R
Eng code: 2KD-FTV
OAP (Alt Denso, 70A, 80A, 100A) Must Remove Spacer/Washer From Alternator Shaft.....OAP058

Aug 2005 -

2.5L 4 cyl DOHC 16V CRD Turbo Diesel KUN25R
Eng code: 2KD-FTV
OAP (Alt Denso, 80A) Must Remove Spacer/Washer From Alternator Shaft.....OAP008

Aug 2011 -

2.5L 4 cyl DOHC 16V CRD Turbo Diesel KUN35L
Eng code: 2KD-FTV
OAP (Alt Denso, 80A, 27060-0L022)OAP077

Jul 2015 -

2.7L 4 cyl DOHC VVT 16V MPFI TGN121R
Eng code: 2TRFE
OAP (Alt, 80A)OAP013

Oct 2015 -

2.5L 4 cyl DOHC 16V CRD Turbo Diesel KUN112R
Eng code: 2KD-FTV
OAP (Alt Denso, 80A, 27060-0L022)OAP077

Oct 2015 -

2.8L 4 cyl DOHC 16V CRD Turbo Diesel GUN123R
Eng code: 1GDFTV
OAPOAP008

Oct 2015 -

2.4L 4 cyl DOHC 16V CRD Turbo Diesel GUN125R
Eng code: 2GDFTV
OAPOAP008

Oct 2015 -

2.8L 4 cyl DOHC 16V CRD Turbo Diesel GUN126R
Eng code: 1GDFTV
OAPOAP008

Oct 2015 -

2.8L 4 cyl DOHC 16V CRD Turbo Diesel GUN136R
Eng code: 1GDFTV
OAPOAP008

Oct 2015 -

3.0L 4 cyl DOHC 16V CRD Turbo Diesel KUN126
 Eng code: 1KD-FTV
 OAP (Alt Denso, 80A, 27060-0L020) OAP077
 OAP (Alt Denso, 80A, 27060-0L021) Must Remove Spacer/Washer From Alternator Shaft..... OAP008

Sep 2017 -

2.4L 4 cyl DOHC 16V CRD Turbo Diesel GUN135R
 Eng code: 2GDFTV
 OAP OAP008

Hilux Revo

Oct 2015 -

2.4L 4 cyl DOHC 16V CRD Turbo Diesel GUN122R
 Eng code: 2GDFTV
 OAP OAP008

Oct 2015 -

2.4L 4 cyl DOHC 16V CRD Turbo Diesel GUN125R
 Eng code: 2GDFTV
 OAP OAP008

Oct 2015 -

2.8L 4 cyl DOHC 16V CRD Turbo Diesel GUN126R
 Eng code: 1GDFTV
 OAP OAP008

Oct 2015 -

2.8L 4 cyl DOHC 16V CRD Turbo Diesel GUN123R
 Eng code: 1GDFTV
 OAP OAP008

Oct 2015 -

2.8L 4 cyl DOHC 16V CRD Turbo Diesel GUN136R
 Eng code: 1GDFTV
 OAP OAP008

Kluger

Aug 2007 - Feb 2014

3.5L V6 DOHC 24V MPFI GSU40R
 Eng code: 2GR-FE
 OAP (Alt Denso, 150A) OAP013

Aug 2007 - Feb 2014

3.5L V6 DOHC 24V MPFI GSU45R
 Eng code: 2GR-FE
 OAP (Alt Denso, 150A) OAP013

Mar 2014 -

3.5L V6 DOHC 24V MPFI GSU50R
 Eng code: 2GR-FE
 OAP (Alt Denso, 150A) OAP013

Mar 2014 -

3.5L V6 DOHC 24V MPFI GSU55R
 Eng code: 2GR-FE
 OAP (Alt Denso, 150A) OAP013

Landcruiser

Sep 2015 -

4.0L V6 DOHC VVT 24V MPFI GRJ150R
 Eng code: 1GR-FE
 OAP (Alt Denso, 100A) OAP013

Landcruiser Prado

Nov 2006 - Oct 2009

3.0L 4 cyl DOHC 16V DTFI Turbo Diesel KDJ120R
 Eng code: 1KD-FTV
 OAP (Alt Denso, 80A) Must Remove Spacer/Washer From Alternator Shaft..... OAP008

Nov 2009 - Aug 2015

3.0L 4 cyl DOHC 16V Turbo Diesel KDJ150R
 Eng code: 1KD-FTV
 OAP (Alt Denso, 100A, 130A) Must Remove Spacer/Washer From Alternator Shaft..... OAP058

Nov 2009 - Oct 2013

3.0L 4 cyl DOHC 16V DTFI Turbo Diesel KDJ155R
 Eng code: 1KD-FTV
 OAP (Alt Denso, 100A) Must Remove Spacer/Washer From Alternator Shaft OAP058

Nov 2009 - Aug 2015

4.0L V6 DOHC 24V MPFI GRJ150R
 Eng code: 1GR-FE
 OAP (Alt Denso, 100A) OAP013

Aug 2015 -

2.8L 4 cyl DOHC VVT 16V CRD Turbo Diesel GDJ150R
 Eng code: 1GD-FTV
 OAP OAP008

Sep 2015 -

4.0L V6 DOHC 24V MPFI GRJ150R
 Eng code: 1GR-FE
 OAP (Alt Denso, 100A) OAP013

RAV-4

Nov 2005 - Jan 2013

2.4L 4 cyl DOHC 16V MPFI ACA33R
 Eng code: 2AZ-FE
 OAP OAP010

Nov 2005 - Jan 2013

2.4L 4 cyl DOHC 16V MPFI ACA38L
 Eng code: 2AZ-FE
 OAP OAP010

Oct 2007 -

3.5L V6 DOHC 24V MPFI GSA33R
 Eng code: 2GR-FE
 OAP (Alt Denso, 150A) OAP013

Apr 2010 - Jan 2013

2.4L 4 cyl DOHC 16V MPFI ACA38R
 Eng code: 2AZ-FE
 OAP OAP010

Feb 2013 -

2.0L 4 cyl DOHC 16V MPFI ZSA42R
 Eng code: 3ZR-FE
 OAP (Alt Denso, 100A) OAP009

Feb 2013 -

2.5L 4 cyl DOHC 16V MPFI ASA44R
 Eng code: 2AR-FE
 OAP OAP009

Regius

Mar 2005 -

2.7L 4 cyl DOHC 16V MPFI TRH
 Eng code: 2TR-FE
 OAP (Alt Denso, 130A) OAP013

Rukus

May 2010 -

2.4L 4 cyl DOHC 16V MPFI AZE151R
 Eng code: 2AZ-FE
 OAP (Alt Denso, 100A) OAP010

Tarago

Jun 2000 - Feb 2006

2.4L 4 cyl DOHC 16V MPFI ACR30R
 Eng code: 2AZ-FE
 OAP (Alt Denso, 150A) OAP010

Mar 2005 -

2.4L 4 cyl DOHC 16V MPFI ACR50R
 Eng code: 2AZ-FE
 OAP (Alt Denso, 150A) OAP010

Feb 2007 -

3.5L V6 DOHC 24V MPFI GSR50R
Eng code: 2GR-FE
OAP (Alt Denso, 150A) OAP013

Volkswagen**Amarok****Feb 2011 - Jan 2013**

2.0L 4 cyl DOHC 16V DTFI Turbo Diesel 2H TDI400
Eng code: CDCA
OAP (Alt Bosch, Valeo) OAP023

May 2011 - Jan 2013

2.0L 4 cyl DOHC 16V DTFI Turbo Diesel 2H TDI340
Eng code: CDBA
OAP (Alt Bosch, Valeo) OAP023

Jul 2012 -

2.0L 4 cyl DOHC 16V DTFI Turbo Diesel 2H TDI420
Eng code: CSHA
OAP (Alt Bosch, Valeo) OAP023

Jan 2013 -

2.0L 4 cyl DOHC 16V CRD Turbo Diesel 2H TDI340
Eng code: CNFB
OAP (Alt Bosch, Valeo) OAP023

Beetle**Jan 2000 - Nov 2003**

2.0L 4 cyl SOHC 8V MPFI 9C
Eng code: AQY
OAP (Alt Bosch, Hitachi, Valeo, 120A) OAP022

Sep 2001 - Sep 2005

1.8L 4 cyl DOHC 20V TMPFI Turbo 9C
Eng code: AWU
OAP (Alt Bosch, Hitachi, Valeo, 120A) OAP022

Jan 2002 - Sep 2005

1.6L 4 cyl SOHC 8V MPFI 9C
Eng code: AYD
OAP (Alt Bosch, Hitachi, Valeo, 120A) OAP022

Jan 2002 - Sep 2005

2.0L 4 cyl SOHC 8V MPFI 9C
Eng code: BER
OAP (Alt Bosch, Hitachi, Valeo, 120A) OAP022

Jan 2002 - Oct 2011

1.6L 4 cyl SOHC 8V MPFI 9C
Eng code: BFS
OAP (Alt Bosch, Hitachi, Valeo, 120A) OAP022

Jul 2003 - Oct 2011

2.0L 4 cyl SOHC 8V MPFI 9C
Eng code: AZJ
OAP (Alt Bosch, Hitachi, Valeo, 120A) OAP022

Jul 2003 - Oct 2011

2.0L 4 cyl SOHC 8V MPFI 1Y
Eng code: AZJ
OAP (Alt Bosch, Hitachi, Valeo, 120A) OAP022

Feb 2013 -

1.4L 4 cyl DOHC 16V TFSI Turbo 1L
Eng code: CTHD
OAP (Alt Bosch, Valeo) OAP028

Bora**Dec 1999 - Jun 2001**

2.3L V5 SOHC 10V MPFI 1J
Eng code: AGZ
OAP (Alt Bosch, 70A, 90A, Hitachi 120A, Valeo, 70A, 90A) .. OAP022

Dec 1999 - Sep 2005

2.0L 4 cyl SOHC 8V MPFI 1J
Eng code: AZJ
OAP OAP022

2001 - 2003

2.8L V6 DOHC 24V MPFI 1J
Eng code: AUE
OAP (Alt Bosch, 70A, 90A, 120A, Hitachi 120A, Valeo, 70A, 90A, 120A)
OAP022

Jul 2001 - Feb 2005

2.8L V6 DOHC 24V MPFI 1J
Eng code: BDE
OAP (Alt Bosch, 70A, 90A, 120A, Hitachi 120A, Valeo, 70A, 90A, 120A)
OAP022

Jul 2001 - Jun 2007

2.3L V5 SOHC 20V MPFI 1J
Eng code: AQN
OAP OAP022

Caddy**Jan 2005 - Nov 2010**

1.6L 4 cyl SOHC 8V MPFI
Eng code: BSE
OAP (Alt Bosch, 140A) OAP022

Jan 2005 - Jul 2006

1.9L 4 cyl SOHC 8V Turbo Diesel 2K
Eng code: BJB
OAP OAP022

Aug 2006 - Nov 2010

1.9L 4 cyl SOHC 8V Turbo Diesel 2K
Eng code: BLS
OAP (Alt Bosch, Valeo, 110A, 140A) OAP022

Dec 2010 - Nov 2015

1.2L 4 cyl DOHC 8V TMPFI Turbo 2K
Eng code: CBZB
OAP (Alt Bosch, 110A, Valeo, 140A) OAP028

Dec 2010 - Nov 2015

1.6L 4 cyl DOHC 16V DTFI Turbo Diesel 2K
Eng code: CAYD
OAP (Alt Bosch, 110A, 140A, Valeo 110A, 140A) OAP022

Dec 2010 - Nov 2015

2.0L 4 cyl DOHC 16V DTFI Turbo Diesel 2K
Eng code: CFHC
OAP (Alt Bosch, Valeo, 110A 140A) OAP022

Caravelle**Sep 2000 - Jun 2005**

2.4L 5 cyl SOHC 10V Di Diesel T4
Eng code: AUF
OAP (Alt Bosch, 150A) OAP036

Aug 2004 - Jul 2006

2.5L 4 cyl SOHC 10V DTFI Turbo Diesel T5
Eng code: AXE
OAP Pulley OAP043

Apr 2008 - Feb 2010

2.5L 4 cyl SOHC 10V DTFI Turbo Diesel T5
Eng code: BPC
OAP Pulley OAP043

Mar 2010 - Jan 2016

2.0L 4 cyl DOHC 16V DTFI Turbo Diesel T5
Eng code: CCHA
OAP OAP023

Dec 2015 -

2.0L 4 cyl DOHC 16V DTFI Turbo Diesel T6
Eng code: CAAC
OAP OAP023

CC**Jul 2012 - Jan 2013**

2.0L 4 cyl DOHC 16V CRD Turbo Diesel 3C
Eng code: CFGB
OAP (Alt Bosch 140A, 180A) OAP022

Feb 2013 -

2.0L 4 cyl DOHC 16V CRD Turbo Diesel 3C
Eng code: CFGC
OAP (Alt Bosch 140A, 180A) OAP022

Crafter

2007 - 2008

2.5L 5 cyl SOHC 10V CRD Turbo
Eng code: BJJ
OAP (Alt Bosch, 110A, 140A) OAP022

Mar 2007 - Jan 2012

2.5L 5 cyl SOHC 10V DTFI Turbo Diesel
Eng code: BJK
OAP (Alt Bosch, 110A, 140A) OAP022

Mar 2007 -

2.5L 5 cyl SOHC 10V DTFI Turbo Diesel
Eng code: CECA
OAP (Alt Bosch, 110A, 140A, 180A) OAP022

Mar 2007 - Jan 2012

2.5L 5 cyl SOHC 10V DTFI Turbo Diesel
Eng code: BJL
OAP (Alt Bosch, 110A, 140A) OAP022

Mar 2007 - Jan 2012

2.5L 5 cyl SOHC 10V DTFI Turbo Diesel
Eng code: BJM
OAP (Alt Bosch, 110A, 140A, 180A) OAP022

EOS

Mar 2007 - Jul 2008

2.0L 4 cyl SOHC 8V DTFI Turbo Diesel
Eng code: BMM
OAP OAP022

Mar 2007 - Jul 2008

2.0L 4 cyl DOHC 16V TMPFI Turbo 1F
Eng code: BWA
OAP (Alt Bosch, Valeo, 14.55mm Vee Pos'n, 50.00mm OD) . OAP022
OAP (Alt Bosch, Valeo, 14.55mm Vee Pos'n, 55.90mm OD) OAP023
OAP (Alt Bosch, Valeo, 12.80mm Vee Pos'n, 56.00mm OD) OAP076

Aug 2008 - Apr 2010

2.0L 4 cyl DOHC 16V TMPFI Turbo 1F
Eng code: CAWB
OAP (Alt Bosch 110A, 120A, 140A, 180A, Valeo 110A, 120A, 140A)
OAP022
OAP (Alt Bosch, Valeo 150A) OAP023
OAP (Alt Bosch 150A, Valeo 150A) OAP076

Aug 2008 - Apr 2011

2.0L 4 cyl DOHC 16V TDi Turbo Diesel 1F
Eng code: CBAB
OAP OAP022

May 2010 -

2.0L 4 cyl DOHC 16V TMPFI Turbo 1F
Eng code: CCZB
OAP (Alt Bosch, Valeo) OAP076

Golf

1997 - 2004

1.9L 4 cyl SOHC 8V TDi Turbo Diesel Type 4
Eng code: AHF
OAP (Alt Bosch 70A, 90A, 120A) OAP082

Oct 1998 - Feb 2002

1.6L 4 cyl SOHC 8V MPFI Type 4
Eng code: AKL
OAP OAP022

Nov 1999 - Mar 2001

1.6L 4 cyl SOHC 8V MPFI Type 4
Eng code: AEH
OAP (Alt Bosch, 70A, 90A, 120A, Hitachi, 120A, Valeo, 70A, 90A, 120A)
OAP022

Jul 2001 - Feb 2004

2.8L V6 DOHC 24V MPFI Type 4
Eng code: BDE
OAP (Alt Bosch, 70A, 90A, 120A, Hitachi, 120A, Valeo, 70A, 90A, 110A, 120A) OAP022

2001 - 2005

2.4L V5 DOHC 20V EFI Type 4
Eng code: AQN
OAP (Alt Bosch 70A, 90A, 120A, Hitachi 120A, Valeo 70A, 90A, 120A)
OAP022

Mar 2002 - May 2003

1.6L 4 cyl SOHC 8V MPFI Type 4
Eng code: BFQ
OAP (Alt Bosch, Hitachi, Valeo, 120A) OAP022

2002 - 2003

1.9L 4 cyl SOHC 8V DTFI Turbo Diesel Type 4
Eng code: ATD
OAP (Alt Bosch, 70A, 90A, 120A, Hitachi, 120A, Valeo, 70A, 90A, 120A)
OAP022

Mar 2002 - Jul 2004

1.6L 4 cyl SOHC 8V MPFI Type 4
Eng code: AVU
OAP (Alt Bosch, Hitachi, Valeo, 120A) OAP022

Mar 2002 - Jul 2004

2.0L 4 cyl SOHC 8V MPFI Type 4
Eng code: APK
OAP OAP022

2003 -

2.0L 4 cyl DOHC 16V MPFI Type 5
Eng code: AXW
OAP (Alt Bosch, Valeo, 140A) OAP022

Aug 2004 - Feb 2009

1.6L 4 cyl SOHC 8V MPFI Type 5
Eng code: BGU
OAP (Alt Bosch, Valeo, 110A, 140A) OAP022

Aug 2004 - Feb 2009

1.6L 4 cyl SOHC 8V MPFI Type 5
Eng code: BSE
OAP OAP022

Aug 2004 - Feb 2009

1.9L 4 cyl SOHC 8V DTFI Turbo Diesel Type 5
Eng code: BKC
OAP (Alt Bosch, Valeo, 110A, 140A) OAP022

Aug 2004 - Feb 2009

2.0L 4 cyl DOHC 16V MPFI Type 5
Eng code: BLX
OAP (Alt Bosch, Valeo, 140A) OAP022

Aug 2004 - Feb 2009

2.0L 4 cyl DOHC 16V MPFI Type 5
Eng code: BLR
OAP (Alt Bosch, Valeo, 140A) OAP022

Aug 2004 - Feb 2009

2.0L 4 cyl DOHC 16V MPFI Type 5
Eng code: BVY
OAP (Alt Bosch, Valeo, 140A) OAP022

Aug 2004 -

2.0L 4 cyl DOHC 16V DTFI Turbo Diesel Type 5
Eng code: BKD
OAP (Alt Bosch, Valeo, 110A, 140A) OAP022

May 2005 - Sep 2009

2.0L 4 cyl DOHC 16V TMPFI Turbo Type 5
Eng code: AXX
OAP (Alt Bosch 110A, 120A, 180A) OAP022
OAP (Alt Bosch 150A, Valeo 150A) OAP076

2005 - Sep 2009

2.0L 4 cyl DOHC 16V TMPFI Turbo Type 5
 Eng code: BWA
 OAP (Alt Bosch 110A, 120A, 180A) OAP022
 OAP (Alt Bosch 150A, Valeo 150A) OAP076

Sep 2005 - Jul 2007

2.0L 4 cyl SOHC 16V DTFI Turbo Diesel Type 5
 Eng code: BMM
 OAP (Alt Bosch, Valeo, 110A, 140A) OAP022

2006 - 2007

1.9L 4 cyl SOHC 8V DTFI Turbo Diesel Type 5
 Eng code: BLS
 OAP (Alt Bosch, Valeo, 110A, 140A) OAP022

Jul 2006 - Mar 2010

3.2L V6 DOHC 24V MPFI Type 5
 Eng code: BUB
 OAP (Alt Bosch, Valeo, 110A) OAP022

May 2007 - Sep 2008

1.4L 4 cyl DOHC 16V STMPFI Turbo Type 5
 Eng code: BLG
 OAP (Alt Valeo, 110A, Bosch, 140A) OAP028

Mar 2009 - Feb 2014

1.4L 4 cyl DOHC 16V TMPFI Turbo Type 6
 Eng code: CAXA
 OAP (Alt Valeo, 110A, 140A, Bosch, 140A) OAP028

Mar 2009 - Aug 2012

1.4L 4 cyl DOHC 16V DTFI Turbo Type 6
 Eng code: CAVD
 OAP (Alt Valeo, Bosch) OAP028

Aug 2009 - Jan 2014

1.6L 4 cyl DOHC 16V DTFI Turbo Diesel Type 6
 Eng code: CAYC
 OAP (Alt Bosch, Valeo, 140A) OAP022

Oct 2009 - Aug 2013

2.0L 4 cyl DOHC 16V TFSI Turbo Type 6
 Eng code: CCZB
 OAP OAP076

Mar 2009 - Sep 2010

2.0L 4 cyl DOHC 16V TDi Turbo Diesel Type 6
 Eng code: CBAB
 OAP (Alt Bosch, Valeo, 140A) OAP022

Mar 2010 - Jan 2014

2.0L 4 cyl DOHC 16V TDi Turbo Diesel Type 6
 Eng code: CFHC
 OAP OAP022

Jun 2010 - Sep 2010

2.0L 4 cyl DOHC 16V TDi Turbo Diesel Type 6
 Eng code: CBBB
 OAP (Alt Bosch, Valeo, 140A) OAP022

Jun 2010 -

2.0L 4 cyl DOHC 16V TMPFI Turbo Type 6
 Eng code: CDLC
 OAP (Alt Bosch, Valeo, 140A) OAP022

Oct 2010 -

1.2L 4 cyl DOHC 16V TDi Turbo Type 6
 Eng code: CBZB
 OAP (Alt Bosch, 140A, Valeo, 110A) OAP028

Oct 2010 -

2.0L 4 cyl DOHC 16V CRD Turbo Diesel Type 6
 Eng code: CFGB
 OAP OAP022

Oct 2010 - Jan 2013

2.0L 4 cyl DOHC 16V Di Turbo Diesel Type 6
 Eng code: CFFB
 OAP OAP022

Sep 2011 - Jul 2012

2.0L 4 cyl DOHC VVT 16V Di Turbo TYPE 6
 Eng code: CDLG
 OAP OAP022

Sep 2012 - Jan 2014

1.4L 4 cyl DOHC 16V TFSI Turbo Type 6
 Eng code: CTHD
 OAP (Alt Bosch, Valeo) OAP028

Feb 2013 -

1.6L 4 cyl DOHC 16V I/C Turbo Diesel Type 7
 Eng code: CLHA
 OAP (Alt Bosch, Valeo) OAP023

Apr 2013 -

2.0L 4 cyl DOHC 16V TDi Turbo Diesel Type 7
 Eng code: CRBC
 OAP (Alt Bosch, Valeo) OAP023

Jetta**Aug 2004 - Jun 2008**

2.0L 4 cyl DOHC 16V DTFI Turbo Diesel 1K
 Eng code: BKD
 OAP (Alt Bosch, Valeo, 110A, 140A) OAP022

Feb 2005 - Feb 2009

2.0L 4 cyl DOHC 16V MPFI 1k
 Eng code: BLR
 OAP (Alt Bosch, 140A) OAP022

2006 - 2007

1.9L 4 cyl SOHC 8V DTFI Diesel 1K
 Eng code: BXE
 OAP OAP022

2006 - 2007

1.9L 4 cyl SOHC 8V DTFI Diesel 1K
 Eng code: BLS
 OAP (Alt Bosch, Valeo, 110A, 140A) OAP022

Feb 2006 - Feb 2009

2.0L 4 cyl DOHC 16V MPFI 1K
 Eng code: BVY
 OAP (Alt Bosch, 140A) OAP022

Feb 2006 - Oct 2009

2.0L 4 cyl DOHC 16V TMPFI Turbo 1K
 Eng code: BWA
 OAP (Alt Bosch, 140A) OAP022

Feb 2009 - Jul 2011

2.0L 4 cyl DOHC 16V DTFI Turbo Diesel
 Eng code: CBDB
 OAP (Alt Bosch, Valeo, 110A, 140A) OAP022

Feb 2009 - Aug 2012

1.4L 4 cyl DOHC 16V STMPFI Turbo 1K
 Eng code: CAVD
 OAP (Alt Bosch, Valeo) OAP028

Nov 2009 - Jul 2011

1.6L 4 cyl DOHC 16V DTFI Turbo Diesel 1KM
 Eng code: CAYC
 OAP (Alt Bosch, Valeo, 140A) OAP022

Nov 2009 - Jul 2011

2.0L 4 cyl DOHC 16V TMPFI Turbo 1K
 Eng code: CAWB
 OAP (Alt Bosch, Valeo) OAP022

Aug 2011 - Aug 2016

2.0L 4 cyl DOHC 16V DTFI Turbo Diesel 1B
 Eng code: CFFB
 OAP (Alt Bosch, 140A) OAP022

Aug 2011 -

2.0L 4 cyl DOHC 16V TMPFI Turbo 1B
 Eng code: CCZA
 OAP (Alt Bosch, Valeo) OAP022

Sep 2012 -

1.4L 4 cyl DOHC 16V STMPFI Turbo 1B
Eng code: CTHD
OAP (Alt Bosch, Valeo) OAP028

LT 35

Aug 2004 - Feb 2007

2.8L 4 cyl SOHC 12V DTFI Turbo Diesel
Eng code: AUH
OAP (Alt Bosch, 90A, 120A) OAP036

Multivan

Jun 2005 - Feb 2010

2.5L 5 cyl SOHC 10V DTFI Turbo Diesel T5
Eng code: AXE
OAP Pulley OAP043

Jun 2005 - Feb 2010

3.2L V6 DOHC 24V MPFI T5
Eng code: BKK
OAP (Alt Bosch, 120A, 150A, 180A) OAP022

Mar 2010 - Aug 2011

2.0L 4 cyl DOHC 16V DTFI Turbo Diesel T5
Eng code: CAAC
OAP (Alt Bosch, Valeo) OAP023

Mar 2010 -

2.0L 4 cyl DOHC 10V DTFI Twin Turbo Diesel T5
Eng code: CFCA
OAP (Alt Bosch, Valeo) OAP023

Sep 2011 -

2.0L 4 cyl DOHC 16V DTFI Turbo Diesel T5
Eng code: CCHA
OAP (Alt Bosch, 110A, 140A) OAP023

Dec 2015 -

2.0L 4 cyl DOHC 16V DTFI Turbo Diesel T6
Eng code: CAAC
OAP (Alt Bosch, 110A, 140A) OAP023

Passat

1997 - 2000

1.8L 4 cyl DOHC 20V TMPFI Turbo 3B
Eng code: AEB
OAP (Alt Valeo, 120A) OAP142

Mar 1998 - Jun 2000

1.8L 4 cyl DOHC 20V MPFI 3B
Eng code: ADR
OAP (Alt Valeo, 120A) OAP142

May 2001 - Oct 2002

1.8L 4 cyl DOHC 20V EFI Turbo 3B
Eng code: AWT
OAP (Alt Bosch, Valeo) OAP142

2002 - 2003

1.9L 4 cyl DOHC 16V DTFI Turbo Diesel 3B
Eng code: AVF
OAP (Alt Bosch, 90A, 120A, 140A, 150A, Valeo 90A, 120A, 140A) OAP142

Nov 2002 - Nov 2005

2.3L V5 DOHC 20V MPFI 3B
Eng code: AZX
OAP (Alt Bosch, Valeo, 110A, 140A) OAP022

Mar 2006 - Jul 2008

2.0L 4 cyl DOHC 16V DTFI Turbo Diesel 3C
Eng code: BKP
OAP (Alt Bosch, Valeo, 140A, 180A) OAP022

Mar 2006 - Jul 2008

2.0L 4 cyl DOHC 16V DTFI Turbo Diesel 3C
Eng code: BMR
OAP (Alt Bosch, Valeo, 140A, 180A) OAP022

Mar 2006 - Jul 2008

2.0L 4 cyl DOHC 16V TMPFI Turbo
Eng code: BWA
OAP (Alt Bosch, Valeo, 140A, 180A) OAP022

Mar 2006 - Jul 2008

2.0L 4 cyl DOHC 16V DTFI Turbo Diesel 3C
Eng code: BMP
OAP (Alt Bosch, Valeo, 140A, 180A) OAP022

2006 - 2009

2.0L 4 cyl DOHC 16V EFI 3C
Eng code: BVY
OAP (Alt Bosch, Valeo, 140A) OAP022

Mar 2006 - Mar 2011

3.2L V6 DOHC 24V MPFI 3C
Eng code: AXZ
OAP (Alt Bosch, Valeo, 140A, 180A) OAP022
OAP (Alt Valeo, 140A, 180A, Bosch 180A) OAP023

Jan 2008 - Jun 2012

2.0L 4 cyl DOHC 16V DTFI Turbo Diesel 3C
Eng code: CBBB
OAP (Alt Bosch, Valeo) OAP022

Jan 2008 - Jan 2010

2.0L 4 cyl DOHC 16V DTFI Turbo Diesel 3C
Eng code: CBAB
OAP (Alt Bosch, Valeo, 140A) OAP022

Aug 2008 -

3.6L V6 DOHC 24V MPFI 3C
Eng code: BWS
OAP (Alt Valeo, 140A, Bosch 180A) OAP023

Feb 2010 -

1.8L 4 cyl DOHC 16V TMPFI 3C
Eng code: CDAA
OAP (Alt Bosch, Valeo, 140A) OAP076

Feb 2010 - Jan 2013

2.0L 4 cyl DOHC 16V DTFI Turbo Diesel 3C
Eng code: CFGB
OAP (Alt Bosch, Valeo, 140A, 180A) OAP022

Polo

Nov 2005 - Apr 2010

1.9L 4 cyl SOHC 8V DTFI Turbo Diesel 9N
Eng code: AXR
OAP (Alt Bosch, 70A, 90A, 120A, Hitachi, 120A) OAP022

Nov 2010 - Jul 2012

1.4L 4 cyl DOHC 16V STMPFI 6R
Eng code: CAVE
OAP (Alt Bosch, Valeo) OAP028

May 2010 - Jul 2014

1.2L 4 cyl SOHC 8V TMPFI Turbo 6R
Eng code: CBZB
OAP (Alt Valeo, 110A, Bosch, 140A) OAP028

May 2010 - Jul 2014

1.6L 4 cyl SOHC 8V DTFI Turbo Diesel 6R
Eng code: CAYB
OAP (Alt Bosch, Valeo) OAP022

Aug 2012 - Nov 2014

1.4L 4 cyl DOHC 16V STMPFI 6R
Eng code: CTHE
OAP (Alt Bosch, Valeo) OAP028

Scirocco

2009 - 2011

2.0L 4 cyl DOHC 16V Direct FI Turbo
Eng code: CAWB
OAP (Alt Bosch, Valeo, 140A) OAP076

2009 - 2011

1.4L 4 cyl DOHC 16V Direct FI Turbo
Eng code: CAVD
OAP (Alt Bosch, Valeo, 140A) OAP028

Feb 2012 -

2.0L 4 cyl DOHC 16V TMPFI Turbo 1S
Eng code: CDLC
OAP (Alt Bosch, Valeo) OAP022

Tiguan**Mar 2008 - Oct 2010**

2.0L 4 cyl DOHC 16V DTFI Turbo Diesel 5NC
Eng code: CBAB
OAP (Alt Bosch, Valeo, 140A) OAP022

May 2008 - Aug 2010

2.0L 4 cyl DOHC 16V TMPFI Turbo 5NC
Eng code: CAWA
OAP (Alt Bosch, Valeo, 140A) OAP076

Aug 2008 - Sep 2011

2.0L 4 cyl DOHC 16V TMPFI Turbo 5NC
Eng code: CAWB
OAP (Alt Bosch, Valeo, 140A) OAP076

Sep 2010 - Sep 2011

2.0L 4 cyl DOHC 16V TMPFI Turbo 5NC
Eng code: CCZA
OAP (Alt Bosch, Valeo, 140A) OAP076

Sep 2010 -

2.0L 4 cyl DOHC 16V DTFI Turbo Diesel 5NC
Eng code: CFFB
OAP (Alt Bosch, Valeo) OAP022

Oct 2011 -

2.0L 4 cyl DOHC 16V TMPFI Turbo 5N
Eng code: CCZD
OAP (Alt Bosch, Valeo) OAP076

Oct 2011 -

2.0L 4 cyl DOHC 16V TMPFI Turbo 5N
Eng code: CCZB
OAP (Alt Bosch, Valeo) OAP076

Oct 2011 - Jul 2013

1.4L 4 cyl DOHC 16V SCMPFI Turbo 5N
Eng code: CAVD
OAP (Alt Bosch, Valeo) OAP028

Sep 2014 -

2.0L 4 cyl DOHC 16V CRD Turbo Diesel 5N
Eng code: CFGC
OAP (Alt Bosch 140A, 180A) OAP022

Touareg**Sep 2003 - Oct 2006**

3.2L V6 DOHC 24V MPFI 7L
Eng code: AZZ
OAP (Alt Delphi, 90A, Hitachi 90A) OAP056

Sep 2003 - Oct 2006

3.2L V6 DOHC 24V MPFI 7L
Eng code: BKJ
OAP (Alt Delphi/Hitachi 190A) OAP056

Sep 2003 - Oct 2006

3.2L V6 DOHC 24V MPFI 7L
Eng code: BMV
OAP OAP056

May 2004 - Oct 2006

4.9L V10 DOHC 40V Turbo Diesel 7L
Eng code: AYH
OAP (Alt Delphi, Hitachi 190A) Alt;OAP A/C OAP043

Oct 2004 - Nov 2009

2.5L 5 cyl SOHC 10V DTFI Turbo Diesel 7L
Eng code: BAC
OAP (Alt Bosch, 150A, 180A) Alt;OAP A/C OAP043

Nov 2006 - Aug 2010

4.9L V10 DOHC 40V Turbo Diesel 7L
Eng code: BLE
OAP (Alt Delphi 190A, Hitachi 190A) Alt;OAP A/C OAP043

Nov 2006 - Aug 2010

3.6L V6 DOHC 24V MPFI 7L
Eng code: BHK
OAP (Alt Bosch, 150A, Valeo, 180A, Hitachi, 190A) OAP056

Mar 2007 - Feb 2010

4.9L V10 DOHC 40V Turbo Diesel 7L
Eng code: CBW
OAP (Alt Hitachi, 190A) Alt;OAP A/C OAP043

Transporter**Jan 1994 - Jul 2004**

2.5L 5 cyl SOHC 10V MPFI T4
Eng code: ACU
OAP (From 1/96) OAP070

Sep 1994 - Jul 2004

2.0L 4 cyl SOHC 8V MPFI T4
Eng code: AAC
OAP (Alt Bosch, 90A) OAP070

Jan 1996 - Jan 2000

2.4L 5 cyl SOHC 10V Diesel T4
Eng code: AAB
OAP (Alt Bosch, 90A, 100A) OAP070

1997 - 1999

2.4L 5 cyl SOHC 10V Di Turbo T4
Eng code: AJA
OAP (Alt Bosch, 90A, 100A) OAP070

Oct 1999 - Jul 2004

2.5L 5 cyl SOHC 10V DT Turbo Diesel T4
Eng code: ACV
OAP (Alt Bosch, 150A) OAP036

Oct 1999 - Jul 2004

2.5L 5 cyl SOHC 10V DT Turbo Diesel T4
Eng code: AUF
OAP (Alt Bosch, 150A) OAP036

Oct 1999 - Jul 2004

2.5L 5 cyl SOHC 10V DT Turbo Diesel T4
Eng code: AYC
OAP (Alt Bosch, 150A) OAP036

Aug 2004 - Feb 2010

1.9L 4 cyl SOHC 8V DTFI Turbo Diesel T5
Eng code: AXB
OAP (Alt Bosch, 90A) OAP022

Aug 2004 - Feb 2010

2.0L 4 cyl SOHC 8V MPFI T5
Eng code: AXA
OAP (Alt Bosch, 120A, 140A) OAP022

Aug 2004 - Jul 2006

1.9L 4 cyl SOHC 8V Di Turbo Diesel T5
Eng code: AXC
OAP (Alt Bosch, 90A) OAP022

Aug 2004 - Jul 2006

2.5L 5 cyl SOHC 10V DTFI Turbo Diesel T5
Eng code: AXE
OAP Pulley OAP043

Oct 2004 - Jul 2006

2.5 L 5 cyl SOHC 10V EFI Turbo Diesel T5
Eng code: AXD
OAP Pulley OAP043

Mar 2005 - Aug 2008

3.2L V6 DOHC 24V MPFI T5
Eng code: BKK
OAP (Alt Bosch, 120A) OAP022

Jul 2006 -

1.9L 4 cyl SOHC 8V DTFI Turbo Diesel T5
Eng code: BRR
OAP (Alt Bosch, Valeo) OAP022

Aug 2006 - Feb 2010

2.5L 5 cyl SOHC 10V EFI Turbo Diesel T5
Eng code: BNZ
OAP Pulley OAP043

Aug 2006 - Feb 2010

2.5L 5 cyl SOHC 10V EFI Turbo Diesel T5
Eng code: BPC
OAP Pulley OAP043

Mar 2010 -

1.9L 4 cyl SOHC 8V DTFI Turbo Diesel T5
Eng code: BRS
OAP (Alt Bosch, 90A) OAP022

Mar 2010 -

2.0L 4 cyl DOHC 16V DTFI Turbo Diesel T5
Eng code: CAAB
OAP (Alt Bosch, 110A, 140A, 180A) OAP023

Mar 2010 -

2.0L 4 cyl DOHC 16V DTFI Turbo Diesel T5
Eng code: CAAC
OAP (Alt Bosch, 110A, 140A, 180A) OAP023

Mar 2010 -

2.0L 4 cyl DOHC 16V DTFI Twin Turbo Diesel T5
Eng code: CFCA
OAP (Alt Bosch, 110A, 140A, 180A) OAP023

Up

Oct 2012 -

1.0L 3 cyl DOHC 12V MPFI AA
Eng code: CHYB
OAP (Alt Bosch, Valeo) OAP028

Volvo

850

Oct 1993 - Jan 1997

2.3L 5 cyl DOHC 20V TMPFI Turbo
Eng code: B5234T
OAP (Alt Bosch, 100A) OAP053

May 1996 - Jan 1997

2.4L 5 cyl DOHC 20V TEFI Turbo
Eng code: B5254T
OAP (Alt Bosch, 100A) OAP053

C70

Jan 1998 - Feb 2003

2.3L 5 cyl DOHC 20V TMPFI Turbo
Eng code: B5234T3
OAP (Alt Bosch, 120A) OAP032
OAP (Alt Bosch, 100A) OAP053

Sep 1999 - Dec 2002

2.4L 5 cyl DOHC 20V TMPFI Turbo
Eng code: B5254T
OAP (Alt Bosch, 120A) OAP032
OAP (Alt Bosch, 100A) OAP053

Dec 2006 - Aug 2010

2.5L 5 cyl DOHC 20V TMPFI Turbo
Eng code: B5254T3
OAP (Alt Denso, 150A) OAP110

Sep 2010 -

2.5L 5 cyl DOHC 20V TMPFI Turbo
Eng code: B5254T7
OAP (Alt Denso, 150A) OAP110

S40

Feb 1997 - Sep 2000

1.9L 4 cyl DOHC 16V MPFI
Eng code: B4204S
OAP (Alt Denso, 120A) OAP069

Sep 1997 - Jul 1999

1.9L 4 cyl DOHC 16V TMPFI Turbo
Eng code: B4194T
OAP (Alt Denso, 120A) OAP069

Feb 1998 - Jul 1999

1.9L 4 cyl DOHC 16V TMPFI Turbo
Eng code: B4204T
OAP (Alt Denso, 120A) OAP069

Jan 1999 - Sep 2000

1.9L 4 cyl DOHC 16V TMPFI Turbo
Eng code: B4194T2
OAP (Alt Denso, 120A) OAP069

Jul 1999 - Mar 2001

1.8L 4 cyl DOHC 16V MPFI
Eng code: B4184S2
OAP (Alt Denso, 120A) OAP069

Aug 2000 - May 2003

2.0L 4 cyl DOHC VVT 16V MPFI Turbo
Eng code: B4204T5
OAP (Alt Denso, 120A) OAP069

Aug 2000 - May 2004

1.9L 4 cyl DOHC 16V MPFI
Eng code: B4204S2
OAP (Alt Denso, 120A) OAP069

Aug 2000 - May 2004

1.9L 4 cyl DOHC 16V TMPFI Turbo
Eng code: B4204T3
OAP (Alt Denso, 120A) OAP069

Jun 2004 - Aug 2010

2.4L 5 cyl DOHC 20V MPFI
Eng code: B5244S4
OAP (Alt Denso, 150A) OAP110

Jun 2004 - Aug 2010

2.5L 5 cyl DOHC 20V TMPFI Turbo
Eng code: B5254T3
OAP (Alt Denso, 150A) OAP110

Mar 2007 -

2.5L 5 cyl DOHC 20V TMPFI Turbo
Eng code: B5254T7
OAP (Alt Denso, 150A) OAP110

S60

2000 - 2002

2.0L 5 cyl DOHC 20V EFI Turbo
Eng code: B5204T5
OAP (Alt Bosch, 120A) OAP032
OAP (Alt Bosch, 100A) OAP053

Jan 2001 - May 2003

2.3L 5 cyl DOHC 20V TMPFI Turbo
Eng code: B5234T3
OAP (Alt Bosch, 120A, 140A, 160A) OAP032

Jan 2001 - Feb 2003

2.4L 5 cyl DOHC 20V TMPFI Turbo
Eng code: B5244T3
OAP (Alt Bosch, 120A, 140A, 160A) OAP032

Jan 2001 - Sep 2009

2.4L 5 cyl DOHC 20V MPFI
Eng code: B5244S
OAP (Alt Bosch, 120A, 140A, 160A) OAP032

Mar 2003 - Oct 2005

2.5L 5 cyl DOHC 20V TMPFI Turbo
Eng code: B5254T2
OAP (Alt Bosch, 120A, 140A, 160A) OAP032
OAP (Alt Bosch, 160A) OAP036

Nov 2003 - Oct 2005

2.5L 5 cyl DOHC 20V TMPFI Turbo
Eng code: B5254T4
OAP (Back Bore Depth 8.0mm To Suit Bosch Alt 120A, 140A, 160A)
OAP032
OAP (Back Bore Depth 11.3mm To Suit Bosch Alt 160A) OAP036

Oct 2011 - Jun 2012

2.4L 5 cyl DOHC 20V DTFI Turbo Diesel
Eng code: D5244T10
OAP (Alt Bosch, 150A, 180A) OAP037

S 70**Feb 1997 - Oct 1998**

2.3L 5 cyl DOHC 20V TMPFI Turbo
Eng code: B5234T3
OAP (Alt Bosch, 120A) OAP032
OAP (Alt Bosch, 100A) OAP053

Feb 1997 - Jul 1999

2.4L 5 cyl DOHC 20V MPFI
Eng code: B5254S
OAP (Alt Bosch, 120A) OAP032
OAP (Alt Bosch, 100A) OAP053

Feb 1997 - Jul 1999

2.4L 5 cyl DOHC 20V TMPFI Turbo
Eng code: B5254T
OAP (Alt Bosch, 120A) OAP032
OAP (Alt Bosch, 100A) OAP053

Dec 1997 - Aug 2000

2.4L 5 cyl DOHC 20V MPFI BI FUEL
Eng code: GB5252S
OAP (Alt Bosch, 120A) OAP032
OAP (Alt Bosch, 100A) OAP053

Jul 1999 - Aug 2000

2.4L 5 cyl DOHC 20V MPFI
Eng code: B5244S
OAP (Alt Bosch, 120A) OAP032
OAP (Alt Bosch, 100A) OAP053

Jul 1999 - Aug 2000

2.4L 5 cyl DOHC 20V TMPFI Turbo
Eng code: B5244T
OAP (Alt Bosch, 120A) OAP032
OAP (Alt Bosch, 100A) OAP053

S 80**1998 - 2005**

2.4L 5 cyl DOHC 20V MPFI
Eng code: B5244S
OAP (Alt Bosch, 120A) OAP032
OAP (Alt Bosch, 100A) OAP053

May 1998 - Jul 2001

2.9L 6 cyl DOHC 24V MPFI
Eng code: B6294S
OAP (Alt Bosch, 120A) OAP032

May 1998 - Jul 2005

2.8L 6 cyl DOHC 24V TTMPFI Twin Turbo
Eng code: B6284T
OAP (Alt Bosch, 120A) OAP032

1999 - 2000

2.0L 5 cyl DOHC 20V EFI Turbo
Eng code: B5204T5
OAP (Alt Bosch, 120A) OAP032
OAP (Alt Bosch, 100A) OAP053

Jul 1999 - Oct 2000

2.9L 6 cyl DOHC 24V MPFI
Eng code: B6304S3
OAP (Alt Bosch, 120A) OAP032

Oct 2004 - Jul 2005

2.5L 5 cyl DOHC 20V MPFI Turbo
Eng code: B5254T2
OAP (Alt Bosch, 120A, 140A, 160A) OAP032

Jan 2007 - Oct 2009

2.4L 5 cyl DOHC 20V DTFI Turbo Diesel
Eng code: D5244T4
OAP (Alt Bosch, 180A) OAP037

Nov 2009 - Aug 2010

2.4L 5 cyl DOHC 20V DTFI Turbo Diesel
Eng code: D5244T10
OAP (Alt Bosch, 150A, 180A) OAP037

V 40**Feb 1997 - Sep 2000**

1.9L 4 cyl DOHC 16V MPFI
Eng code: B4204S
OAP (Alt Denso, 120A) OAP069

Jul 1999 - Sep 2000

1.8L 4 cyl DOHC 16V EFI
Eng code: B4184S
OAP (Alt Denso, 120A) OAP069

Jul 1999 - Sep 2000

1.9L 4 cyl DOHC 16V TMPFI Turbo
Eng code: B4204T2
OAP (Alt Denso, 120A) OAP069

Jul 1999 - Mar 2001

1.8L 4 cyl DOHC 16V MPFI
Eng code: B4184S2
OAP (Alt Denso, 120A) OAP069

Aug 2000 - May 2003

1.9L 4 cyl DOHC 16V TMPFI Turbo
Eng code: B4204T5
OAP (Alt Denso, 120A) OAP069

V 50**1997 - 2000**

2.0L 5 cyl DOHC 20V EFI Turbo
Eng code: B5204T2
OAP (Alt Bosch, 100A) OAP053
OAP (Alt Bosch, 120A) OAP032

Feb 1997 - May 2003

2.3L 5 cyl DOHC 20V MPFI Turbo
Eng code: B5234T3
OAP (Alt Bosch, 120A) OAP032
OAP (Alt Bosch, 100A) OAP053

1997 - 2000

2.0L 5 cyl DOHC 20V EFI Turbo
Eng code: B5204T4
OAP (Alt Bosch, 120A) OAP032
OAP (Up To ¹/₈ - Alt Bosch, 100A) OAP053

1997 - 2000

2.0L 5 cyl DOHC 20V EFI Turbo
Eng code: B5204T5
OAP (Back Bore Depth 11.3mm To Suit Bosch Alt 160A) OAP036
OAP (Alt Bosch, 120A) OAP032

Mar 2004 - Aug 2010

2.4L 5 cyl DOHC 20V MPFI
Eng code: B5244S4
OAP (Alt Denso, 150A) OAP110

Mar 2007 - Oct 2009

2.4L 5 cyl DOHC 20V DTFI Turbo Diesel
Eng code: D5244T8
OAP (Alt Denso, 150A) OAP110

Nov 2003 - Oct 2005

2.5L 5 cyl DOHC 20V TMPFI Turbo
Eng code: B5254T4
OAP (Back Bore Depth 8.0mm To Suit Bosch Alt 120A, 140A, 160A)
OAP032

V70

1997 - 2000

2.0L 5 cyl DOHC 20V EFI Turbo
Eng code: B5204T5
OAP (Alt Bosch, 120A) OAP032
OAP (Alt Bosch, 100A) OAP053

Feb 1997 - Aug 1998

2.3L 5 cyl DOHC 20V TMPFI Turbo
Eng code: B5234T3
OAP (Alt Bosch, 120A) OAP032
OAP (Alt Bosch, 100A) OAP053

Feb 1997 - Aug 2000

2.4L 5 cyl DOHC 20V TMPFI Turbo
Eng code: B5254T
OAP OAP053

Nov 1997 - Oct 1998

2.3L 5 cyl DOHC 20V TMPFI Turbo
Eng code: B5234T4
OAP OAP053

Jul 1999 - Aug 2000

2.4L 5 cyl DOHC 20V MPFI
Eng code: B5244S
OAP (Alt Bosch, 120A, 140A, 160A) OAP032

Jul 1999 - Aug 2000

2.4L 5 cyl DOHC 20V TMPFI Turbo
Eng code: B5244T
OAP (Alt Bosch, 120A) OAP032
OAP (Alt Bosch, 100A) OAP053

Jul 1999 - Aug 2000

2.4L 5 cyl DOHC 20V TMPFI Turbo
Eng code: B5244T2
OAP (Back Bore Depth 8.0mm, Alt Bosch 120A) OAP032
OAP (Back Bore Depth 11.3mm, Alt Bosch Alt 120A, 140A) OAP036

Jan 2000 - May 2003

2.4L 5 cyl DOHC 20V TMPFI Turbo
Eng code: B5244T3
OAP (Alt Bosch, 120A, 140A, 160A) OAP032

Sep 2000 - Jan 2008

2.4L 5 cyl DOHC 20V MPFI
Eng code: B5244S
OAP (Alt Bosch, 120A) OAP032

Nov 2003 - Jul 2005

2.5L 5 cyl DOHC 20V TMPFI Turbo
Eng code: B5254T4
OAP (Back Bore Depth 8.0mm, Alt Bosch Alt 120A, 140A, 160A) OAP032
OAP (Back Bore Depth 11.3mm, Alt Bosch Alt 160A) OAP036

Jun 2004 - Sep 2004

2.5L 5 cyl DOHC 20V TMPFI Turbo
Eng code: B5254T2
OAP (Alt Bosch, 120A, 140A, 160A) OAP032
OAP (Alt Bosch, 150A) OAP036

XC60

Mar 2009 - Jul 2011

2.4L 5 cyl DOHC 20V DTFI Turbo Diesel DZ
Eng code: D5244T10
OAP (Alt Bosch, 150A, 180A) OAP037

Oct 2009 - Aug 2010

2.4L 5 cyl DOHC 20V DTFI Turbo Diesel DZ
Eng code: D5244T4
OAP (Alt Bosch, 150A, 180A) OAP037

Aug 2011 -

2.4L 5 cyl DOHC 20V DTFI Twin Turbo Diesel DZ
Eng code: D5244T15
OAP (Alt Bosch, 150A, 180A) OAP037

Apr 2012 -

2.4L 5 cyl DOHC 20V DTFI Twin Turbo Diesel DZ
Eng code: D5244T15
OAP (Alt Bosch, 150A, 180A) OAP037

Sep 2012 -

2.0L 5 cyl DOHC 20V CRD Turbo Diesel DZ
Eng code: D5204T2
OAP (Alt Bosch, 150A, 180A) OAP037

XC70

2000 - 2004

2.4L 5 cyl DOHC 20V EFI Turbo
Eng code: B5244T3
OAP (Alt Bosch, 120A, 140A, 160A) OAP032

Apr 2003 - Nov 2007

2.5L 5 cyl DOHC 20V TMPFI Turbo
Eng code: B5254T2
OAP OAP032

Dec 2007 - Oct 2009

2.4L 5 cyl DOHC 20V DTFI Turbo Diesel BZ
Eng code: D5244T4
OAP (Alt Bosch, 140A, 160A) OAP032
OAP (Alt Bosch, 180A) OAP037

Nov 2009 - Sep 2011

2.4L 5 cyl DOHC 20V DTFI Turbo Diesel BZ
Eng code: D5244T10
OAP (Alt Bosch, 150A, 180A) OAP037

Oct 2011 - Oct 2012

2.4L 5 cyl DOHC 20V DTFI Turbo Diesel BZ
Eng code: D5244T15
OAP (Alt Bosch, 150A, 180A) OAP037

Nov 2012 -

2.4L 5 cyl DOHC 20V TFSI Turbo Diesel BZ
Eng code: D5244T15
OAP (Alt Bosch, 150A, 180A) OAP037

XC90

Jul 2003 - Feb 2007

2.5L 5 cyl DOHC 20V TMPFI Turbo
Eng code: B5254T2
OAP (Alt Bosch, 140A, 160A) OAP032

Jul 2003 - Sep 2006

2.9L 6 cyl DOHC 24V TMPFI Turbo
Eng code: B6294T
OAP OAP032

Oct 2006 - Jul 2011

2.4L 5 cyl DOHC 20V DTFI Turbo Diesel
Eng code: D5244T4
OAP (Alt Bosch, 140A, 160A) OAP032

OAP001	
<p>Width: 35.9mm Inside diameter: 17mm Outside diameter: 59.7mm Type: 6PK</p>	

OAP005	
<p>Width: 40.6mm Inside diameter: 17mm Outside diameter: 57mm Type: 5PK</p>	

OAP002	
<p>Width: 40.2mm Inside diameter: 17mm Outside diameter: 52.1mm Type: 6PK</p>	

OAP006	
<p>Width: 34.5mm Inside diameter: 17mm Outside diameter: 64.5mm Type: 7PK</p>	

OAP003	
<p>Width: 38.3mm Inside diameter: 17mm Outside diameter: 49.1mm Type: 7PK</p>	

OAP007	
<p>Width: 40.4mm Inside diameter: 17mm Outside diameter: 50mm Type: 6PK</p>	

OAP004	
<p>Width: 36.5mm Inside diameter: 17mm Outside diameter: 55.6mm Type: 6PK</p>	

OAP008	
<p>Width: 41.5mm Inside diameter: 15mm Outside diameter: 58.1mm Type: 7PK</p>	

OAP009

Width: 40.5mm
 Inside diameter: 17mm
 Outside diameter: 55mm
 Type: 6PK



OAP013

Width: 41.3mm
 Inside diameter: 17mm
 Outside diameter: 52.5mm
 Type: 7PK



OAP010

Width: 50.2mm
 Inside diameter: 17mm
 Outside diameter: 55mm
 Type: 7PK



OAP014

Width: 40.5mm
 Inside diameter: 17mm
 Outside diameter: 58.4mm
 Type: 7PK



OAP011

Width: 45.4mm
 Inside diameter: 17mm
 Outside diameter: 56mm
 Type: 6PK



OAP015

Width: 39.3mm
 Inside diameter: 17mm
 Outside diameter: 64.8mm
 Type: 7PK



OAP012

Width: 40mm
 Inside diameter: 17mm
 Outside diameter: 50mm
 Type: 6PK



OAP016

Width: 34.7mm
 Inside diameter: 17mm
 Outside diameter: 53.6mm
 Type: 5PK



OAP017	
<p>Width: 38mm Inside diameter: 17mm Outside diameter: 55mm Type: 6PK</p>	

OAP021	
<p>Width: 37.2mm Inside diameter: 17mm Outside diameter: 54.4mm Type: 6PK</p>	

OAP018	
<p>Width: 42.4mm Inside diameter: 17mm Outside diameter: 55.8mm Type: 6PK</p>	

OAP022	
<p>Width: 41.15mm Inside diameter: 17mm Outside diameter: 55.8mm Type: 6PK</p>	

OAP019	
<p>Width: 47mm Inside diameter: 17mm Outside diameter: 57.6mm Type: 6PK</p>	

OAP023	
<p>Width: 40.2mm Inside diameter: 17mm Outside diameter: 49.5mm Type: 6PK</p>	

OAP020	
<p>Width: 38mm Inside diameter: 17mm Outside diameter: 60mm Type: 6PK</p>	

OAP024	
<p>Width: 39.3mm Inside diameter: 17mm Outside diameter: 59.7mm Type: 8PK</p>	

OAP025	
<p>Width: 48.2mm Inside diameter: 17mm Outside diameter: 52mm Type: 6PK</p>	

OAP029	
<p>Width: 34.6mm Inside diameter: 17mm Outside diameter: 59.7mm Type: 5PK</p>	

OAP026	
<p>Width: 45.4mm Inside diameter: 17mm Outside diameter: 56mm Type: 6PK</p>	

OAP030	
<p>Width: 42.8mm Inside diameter: 17mm Outside diameter: 56.8mm Type: 5PK</p>	

OAP027	
<p>Width: 45.6mm Inside diameter: 17mm Outside diameter: 57.5mm Type: 6PK</p>	

OAP031	
<p>Width: 38.25mm Inside diameter: 17mm Outside diameter: 49mm Type: 6PK</p>	

OAP028	
<p>Width: 34.8mm Inside diameter: 17mm Outside diameter: 49.9mm Type: 6PK</p>	

OAP032	
<p>Width: 38mm Inside diameter: 17mm Outside diameter: 56mm Type: 6PK</p>	

OAP033	
<p>Width: 36.85mm Inside diameter: 17mm Outside diameter: 54.3mm Type: 6PK</p>	


OAP037	
<p>Width: 40.9mm Inside diameter: 17mm Outside diameter: 54mm Type: 5PK</p>	

OAP034	
<p>Width: 38.3mm Inside diameter: 17mm Outside diameter: 54.3mm Type: 6PK</p>	

OAP038	
<p>Width: 33.2mm Inside diameter: 17mm Outside diameter: 54.3mm Type: 6PK</p>	

OAP035	
<p>Width: 34.7mm Inside diameter: 17mm Outside diameter: 53.6mm Type: 6PK</p>	

OAP039	
<p>Width: 44.8mm Inside diameter: 17mm Outside diameter: 55.7mm Type: 7PK</p>	

OAP036	
<p>Width: 42mm Inside diameter: 17mm Outside diameter: 67.8mm Type: 6PK</p>	

OAP040	
<p>Width: 35.8mm Inside diameter: 17mm Outside diameter: 50mm Type: 6PK</p>	

OAP041

Width: 39.3mm
 Inside diameter: 17mm
 Outside diameter: 49.7mm
 Type: 7PK



OAP045

Width: 39mm
 Inside diameter: 17mm
 Outside diameter: 59.5mm
 Type: 8PK



OAP042

Width: 38.5mm
 Inside diameter: 17mm
 Outside diameter: 48.7mm
 Type: 6PK



OAP046

Width: 38.1mm
 Inside diameter: 17mm
 Outside diameter: 48.8mm
 Type: 5PK



OAP043

Width: 34.2mm
 Inside diameter: 17mm
 Outside diameter: 61.7mm
 Type: N/A



OAP047

Width: 39.7mm
 Inside diameter: 17mm
 Outside diameter: 60mm
 Type: 6PK



OAP044

Width: 41mm
 Inside diameter: 17mm
 Outside diameter: 68.8mm
 Type: 7PK



OAP048

Width: 33.9mm
 Inside diameter: 17mm
 Outside diameter: 49.2mm
 Type: 6PK



OAP049

Width: 33.7mm
 Inside diameter: 17mm
 Outside diameter: 49mm
 Type: 6PK



OAP053

Width: 36.2mm
 Inside diameter: 17mm
 Outside diameter: 56mm
 Type: 6PK



OAP050

Width: 38.2mm
 Inside diameter: 17mm
 Outside diameter: 55.67mm
 Type: 6PK



OAP055

Width: 40.5mm
 Inside diameter: 17mm
 Outside diameter: 56.9mm
 Type: 6PK



OAP051

Width: 36.1mm
 Inside diameter: 17mm
 Outside diameter: 49.9mm
 Type: 7PK



OAP056

Width: 34.9mm
 Inside diameter: 17mm
 Outside diameter: 55.9mm
 Type: 7PK



OAP052

Width: 45.75mm
 Inside diameter: 17mm
 Outside diameter: 50mm
 Type: 6PK



OAP057

Width: 41.4mm
 Inside diameter: 17mm
 Outside diameter: 54mm
 Type: 6PK



OAP058

Width: 41.5mm
 Inside diameter: 17mm
 Outside diameter: 58mm
 Type: 7PK



OAP063

Width: 37.9mm
 Inside diameter: 17mm
 Outside diameter: 54mm
 Type: 6PK



OAP059

Width: 40.75mm
 Inside diameter: 17mm
 Outside diameter: 48.6mm
 Type: 7PK



OAP064

Width: 39.2mm
 Inside diameter: 17mm
 Outside diameter: 61.6mm
 Type: 5PK



OAP061

Width: 36.6mm
 Inside diameter: 17mm
 Outside diameter: 59.1mm
 Type: 7PK



OAP065

Width: 37.2mm
 Inside diameter: 17mm
 Outside diameter: 50mm
 Type: 5PK



OAP062

Width: 44.7mm
 Inside diameter: 17mm
 Outside diameter: 59mm
 Type: 7PK



OAP066

Width: 34.4mm
 Inside diameter: 17mm
 Outside diameter: 49mm
 Type: 7PK



OAP067	
<p>Width: 38mm Inside diameter: 17mm Outside diameter: 54.1mm Type: 6PK</p>	

OAP071	
<p>Width: 42.2mm Inside diameter: 17mm Outside diameter: 54mm Type: 6PK</p>	

OAP068	
<p>Width: 33.7mm Inside diameter: 17mm Outside diameter: 56mm Type: 6PK</p>	

OAP072	
<p>Width: 35.6mm Inside diameter: 17mm Outside diameter: 49.7mm Type: 6PK</p>	

OAP069	
<p>Width: 41.6mm Inside diameter: 17mm Outside diameter: 55.5mm Type: 6PK</p>	

OAP073	
<p>Width: 35.2mm Inside diameter: 17mm Outside diameter: 49.8mm Type: 6PK</p>	

OAP070	
<p>Width: 40.6mm Inside diameter: 17mm Outside diameter: 49.5mm Type: 6PK</p>	

OAP074	
<p>Width: 37.2mm Inside diameter: 17mm Outside diameter: 50mm Type: 5PK</p>	

OAP075	
<p>Width: 43.6mm Inside diameter: 17mm Outside diameter: 61.5mm Type: 6PK</p>	

OAP079	
<p>Width: 48.2mm Inside diameter: 17mm Outside diameter: 52mm Type: 6PK</p>	

OAP076	
<p>Width: 35.6mm Inside diameter: 17mm Outside diameter: 55.9mm Type: 6PK</p>	

OAP080	
<p>Width: 47.3mm Inside diameter: 17mm Outside diameter: 57.5mm Type: 8PK</p>	

OAP077	
<p>Width: 38mm Inside diameter: 17mm Outside diameter: 58.7mm Type: 7PK</p>	


OAP082	
<p>Width: 41.00mm Inside diameter: 17mm Outside diameter: 56.00mm Type: 6PK</p>	

OAP078	
<p>Width: 42.4mm Inside diameter: 17mm Outside diameter: 56mm Type: 6PK</p>	

OAP085	
<p>Width: 36.7mm Inside diameter: 17mm Outside diameter: 53mm Type: 6PK</p>	

OAP086	
<p>Width: 44.30mm Inside diameter: 17mm Outside diameter: 59mm Type: 7PK</p>	

OAP109	
<p>Width: 42mm Inside diameter: 17mm Outside diameter: 49.30mm Type: 6PK</p>	

OAP092	
<p>Width: 39.00mm Inside diameter: 17mm Outside diameter: 55.00mm Type: 6PK</p>	

OAP110	
<p>Width: 39.5mm Inside diameter: 17mm Outside diameter: 55.55mm Type: 5PK</p>	

OAP097	
<p>Width: 52mm Inside diameter: 17mm Outside diameter: 57.5mm Type: 8PK</p>	

OAP111	
<p>Width: 36.2mm Inside diameter: 17mm Outside diameter: 57.6mm Type: 8PK</p>	

OAP100	
<p>Width: 49.75mm Inside diameter: 17mm Outside diameter: 56mm Type: 7PK</p>	

OAP116	
<p>Width: 38.7mm Inside diameter: 17mm Outside diameter: 56mm Type: 8PK</p>	

OAP117

Width: 43.6mm
 Inside diameter: 17mm
 Outside diameter: 50.3mm
 Type: 8PK



OAP132

Width: 43.5mm
 Inside diameter: 17mm
 Outside diameter: 55.3mm
 Type: 6PK



OAP121

Width: 40.4mm
 Inside diameter: 17mm
 Outside diameter: 50mm
 Type: 6PK



OAP135

Width: 44.2mm
 Inside diameter: 17mm
 Outside diameter: 71.4mm
 Type: 8PK



OAP122

Width: 47.5mm
 Inside diameter: 17mm
 Outside diameter: 55.7mm
 Type: 6PK



OAP137

Width: 42.1mm
 Inside diameter: 17mm
 Outside diameter: 53.8mm
 Type: 6PK



OAP130

Width: 44.6mm
 Inside diameter: 17mm
 Outside diameter: 51.7mm
 Type: 5PK



OAP142


Width: 35mm
 Inside diameter: 17mm
 Outside diameter: 55.9mm
 Type: 5PK



OAP144	
<p>Width: 40.7mm Inside diameter: 17mm Outside diameter: 56.2mm Type: 6PK</p>	

OAP154	
<p>Width: 40.2mm Inside diameter: 17mm Outside diameter: 52mm Type: 6PK</p>	

OAP146	
<p>Width: 41.5mm Inside diameter: 17mm Outside diameter: 49.5mm Type: 6PK</p>	

OAP155	
<p>Width: 36.6mm Inside diameter: 17mm Outside diameter: 52.57mm Type: 6PK</p>	

OAP149	
<p>Width: 42mm Inside diameter: 17mm Outside diameter: 50mm Type: 6PK</p>	

OAP168	
<p>Width: 49.3mm Inside diameter: 17mm Outside diameter: 50mm Type: 7PK</p>	

OAP152	
<p>Width: 39.39mm Inside diameter: 17.00mm Outside diameter: 55.57mm Type: 6PK</p>	

OAP186	
<p>Width: 35.30mm Inside diameter: 17mm Outside diameter: 59.20mm Type: 7PK</p>	

OAP193

Width: 52.5mm
 Inside diameter: 17mm
 Outside diameter: 50mm
 Type: 8PK



OAP221

Width: 37.47mm
 Inside diameter: 15mm
 Outside diameter: 59.37mm
 Type: 6PK



OAP194

Width: 37.85mm
 Inside diameter: 17.00mm
 Outside diameter: 59mm
 Type: 6PK Steel



OAP229

Width: 40.6mm
 Inside diameter: 17mm
 Outside diameter: 57mm
 Type: 5PK



OAP197

Width: 40.15mm
 Inside diameter: 17mm
 Outside diameter: 50.12mm
 Type: 7PK



OAP234

Width: 41.00mm
 Inside diameter: 17.00mm
 Outside diameter: 56.20mm



OAP203

17.00mm
 Outside diameter: 50.00mm



OAP235

Width: 38mm
 Inside diameter: 17mm
 Outside diameter: 59mm



OAP236

Width: 38.2mm
Inside diameter: 17.00mm
Outside diameter:
48.87mm

