



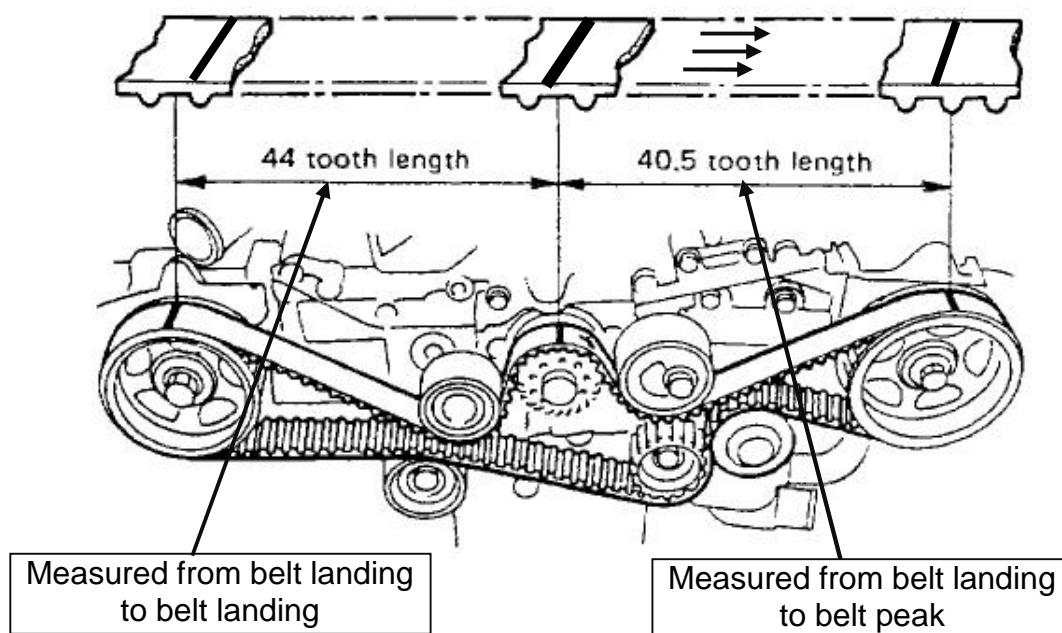
MOVE FORWARD. ALWAYS.™

DAYCO AFTERMARKET TECHNICAL INFORMATION

Subject:	Subaru 94201 Timing Belt (211SHP+300)	TI 00021
	Forester EJ20 SOHC (1997-98)	Released
	Impreza EJ16, EJ18, EJ20 SOHC (1993-98)	04/10/2016
	Liberty EJ22 SOHC (1989-99)	

Note: For removal and installation instructions please refer to relevant OEM or Industry Technical Information Sheets

Early model Subaru "EJ" SOHC vehicle applications use Dayco 94201 Timing Belt. On this belt there are directional arrows and timing marks branded on the back to assist in the correct installation and are typically used as a reference only. Refer to diagram below.



Due to manufacturing tolerances, these belt timing marks may not align perfectly with either the centre of the timing belt tooth or landing. Regardless, the correct count of tooth is as shown above and should be checked against actual timing belt with the crank reference mark being at the belt landing and the cam marks on tooth landing or tooth peak.

Dayco Australia P/L is the exclusive owner of this document. Any right of publishing, using and reproducing this document is exclusively reserved to

© DAYCO IP HOLDINGS LLC 2016

WWW.DAYCO.COM.AU